



BRAKE PAD

P 54 033

The P 54 033 brake pad is synonymous with reliability

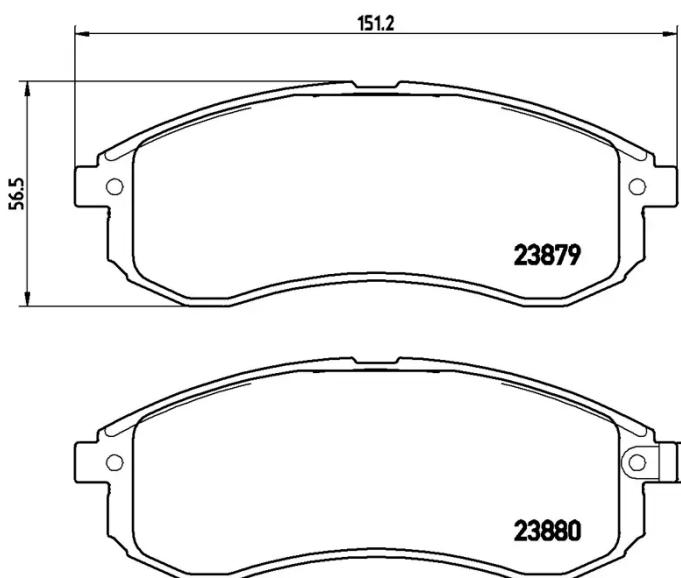
The Brembo brake pad guarantees ultimate safety when braking thanks to the use of more than 100 different compounds, designed according to the type of vehicle and use. Stopping distances reduced to a minimum, maximum driving comfort and silent operation are the most important features of Brembo materials. Brembo brake pads are supplied together with an extensive range of accessories and assembly kits for professional-standard installation.

- ✓ OE-equivalent
- ✓ Brembo quality
- ✓ ECE-R90 certificate
- ✓ Safety
- ✓ Performance
- ✓ Comfort



Technical specifications

EAN code	Axle	Thickness
8020584054802	Front	16 mm
Width	Height	Braking system
151 mm	57 mm	Sumitomo
Wear indicator	WVA number	Accessories
Acoustic	23879,23880	With anti-squeal shim



COMPATIBLE VEHICLES

COMPATIBLE OE PART NUMBERS

DBP511126	mitsubishi
-----------	------------

MN102622	mitsubishi
----------	------------

MN105622	mitsubishi
----------	------------

MR527564	mitsubishi
----------	------------

MR977365	mitsubishi
----------	------------