

Tekniska data för bromsskivan

Axel Bak	Diameter 245 mm
Total höjd (A) 63,9 mm	Centreringsdiameter (B) 68 mm
Antal hål (C) 5	Tjocklek (TH) 10 mm
Min. tjocklek 8 mm	Åtdragningsmoment  120 Nm
Enhet per låda 2	EAN-kod 8020584013700

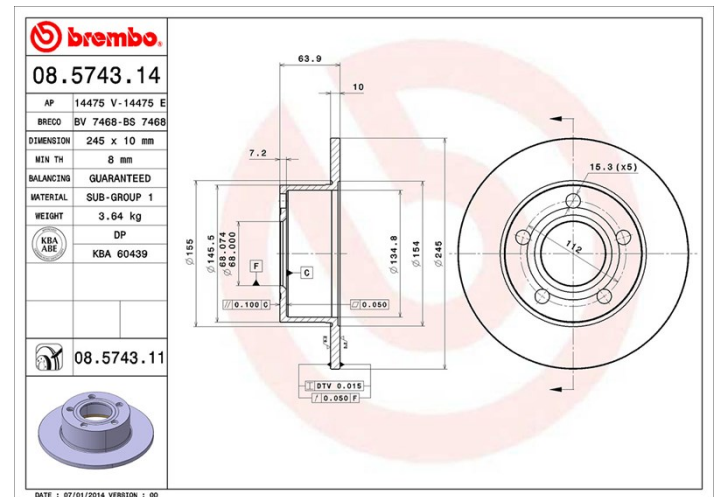


Märkeskoder

Brembo
08.5743.11

AP
14475 V

Breco
BV 7468



Tekniska specifikationer

UV-skiva

UV-beläggningstekniken som har utvecklats i samarbete med bitillverkare, garanterar en överlägsen beständighet mot korrosion och ett komplett skydd av bromsskivan.



Kompatibla fordon

AUDI

Modell	Typ	kW	År
100 (4A2, C4)	2.0	74	12/90 07/94
100 (4A2, C4)	2.0 E	85	12/90 07/94
100 (4A2, C4)	2.0 E 16V	103	01/92 07/94
100 (4A2, C4)	2.0 E 16V quattro	103	07/92 07/94
100 (4A2, C4)	2.0 E quattro	85	12/90 07/92
100 (4A2, C4)	2.3 E	98	12/90 07/94
100 (4A2, C4)	2.3 E quattro	98	12/90 07/94

100 (4A2, C4)	2.4 D	60	12/90 07/94
100 (4A2, C4)	2.5 TDI	85	12/90 07/94
100 (4A2, C4)	2.6	110	03/92 07/94
100 (4A2, C4)	2.6	102	07/93 07/94
100 (4A2, C4)	2.6 quattro	110	04/92 07/94
100 (4A2, C4)	2.8 E	128	12/90 07/94
100 (4A2, C4)	2.8 E quattro	128	12/90 07/94
100 Avant (4A5, C4)	2.0 E	74	09/91 07/94
100 Avant (4A5, C4)	2.0 E	85	09/91 07/94
100 Avant (4A5, C4)	2.0 E 16V	103	07/92 07/94
100 Avant (4A5, C4)	2.0 E 16V quattro	103	07/92 07/94
100 Avant (4A5, C4)	2.0 E quattro	85	12/90 07/92
100 Avant (4A5, C4)	2.3 E	98	09/91 07/94
100 Avant (4A5, C4)	2.3 E quattro	98	09/91 07/94
100 Avant (4A5, C4)	2.4 D	60	12/90 07/94
100 Avant (4A5, C4)	2.5 TDI	85	12/90 07/94
100 Avant (4A5, C4)	2.6	110	03/92 07/94
100 Avant (4A5, C4)	2.6	102	07/93 07/94
100 Avant (4A5, C4)	2.6 E quattro	102	08/93 07/94
100 Avant (4A5, C4)	2.6 quattro	110	07/92 07/94
100 Avant (4A5, C4)	2.8 E	128	09/91 07/94
100 Avant (4A5, C4)	2.8 E quattro	128	09/91 07/94
A6 (4A2, C4)	1.8	92	12/95 10/97
A6 (4A2, C4)	1.8 quattro	92	12/95 10/97
A6 (4A2, C4)	1.9 TDI	66	06/94 10/97
A6 (4A2, C4)	2.0	79	06/94 07/95
A6 (4A2, C4)	2.0	74	06/94 10/97
A6 (4A2, C4)	2.0	85	06/94 10/97
A6 (4A2, C4)	2.0 16V	103	06/94 10/97
A6 (4A2, C4)	2.0 16V quattro	103	06/94 10/97
A6 (4A2, C4)	2.3	98	06/94 12/95

A6 (4A2, C4)	2.3 quattro	98	06/94 12/95
A6 (4A2, C4)	2.4	110	07/95 06/96
A6 (4A2, C4)	2.5 TDI	84	01/95 10/97
A6 (4A2, C4)	2.5 TDI	85	06/94 10/97
A6 (4A2, C4)	2.5 TDI	103	08/94 10/97
A6 (4A2, C4)	2.5 TDI quattro	103	10/95 10/97
A6 (4A2, C4)	2.6	102	06/94 10/97
A6 (4A2, C4)	2.6	110	06/94 10/97
A6 (4A2, C4)	2.6 quattro	110	06/94 10/97
A6 (4A2, C4)	2.8	128	06/94 10/97
A6 (4A2, C4)	2.8	120	08/95 07/96
A6 (4A2, C4)	2.8	142	12/95 10/97
A6 (4A2, C4)	2.8 quattro	128	06/94 10/97
A6 (4A2, C4)	2.8 quattro	142	12/95 10/97
A6 (4B2, C5)	1.8	85	05/97 01/05
A6 (4B2, C5)	1.8	92	07/97 01/05
A6 (4B2, C5)	1.8 T	110	01/97 01/05
A6 (4B2, C5)	1.8 T	132	12/97 01/05
A6 (4B2, C5)	1.9 TDI	81	04/97 10/00
A6 (4B2, C5)	1.9 TDI	85	07/00 01/05
A6 (4B2, C5)	1.9 TDI	96	08/01 01/05
A6 (4B2, C5)	2.0	96	08/01 01/05
A6 (4B2, C5)	2.4	115	02/97 01/05
A6 (4B2, C5)	2.4	120	02/97 01/05
A6 (4B2, C5)	2.4	121	02/97 01/05
A6 (4B2, C5)	2.4	100	07/98 01/05
A6 (4B2, C5)	2.4	125	08/01 01/05
A6 (4B2, C5)	2.5 TDI	132	02/00 01/05
A6 (4B2, C5)	2.5 TDI	120	07/02 01/05
A6 (4B2, C5)	2.5 TDI	110	07/97 01/05
A6 (4B2, C5)	2.5 TDI	114	08/01 01/05

A6 (4B2, C5)	2.7	187	05/01 07/04
A6 (4B2, C5)	2.7 T	169	02/99 01/05
A6 (4B2, C5)	2.8	142	02/97 01/05
A6 (4B2, C5)	2.8	140	07/99 01/05
A6 (4B2, C5)	2.8	132	10/97 05/00
A6 (4B2, C5)	3.0	160	06/01 01/05
A6 (4B2, C5)	3.0	162	08/01 01/05
A6 (4B2, C5)	3.7	191	03/99 01/05
A6 Avant (4A5, C4)	1.8	92	12/95 12/97
A6 Avant (4A5, C4)	1.8 quattro	92	12/95 12/97
A6 Avant (4A5, C4)	1.9 TDI	66	06/94 12/97
A6 Avant (4A5, C4)	2.0	74	06/94 12/97
A6 Avant (4A5, C4)	2.0	85	06/94 12/97
A6 Avant (4A5, C4)	2.0 16V	103	06/94 12/97
A6 Avant (4A5, C4)	2.0 16V quattro	103	06/94 12/97
A6 Avant (4A5, C4)	2.3	98	06/94 12/95
A6 Avant (4A5, C4)	2.3 quattro	98	06/94 12/95
A6 Avant (4A5, C4)	2.5 TDI	84	01/95 12/97
A6 Avant (4A5, C4)	2.5 TDI	85	06/94 12/97
A6 Avant (4A5, C4)	2.5 TDI	103	08/94 12/97
A6 Avant (4A5, C4)	2.5 TDI quattro	103	07/95 12/97
A6 Avant (4A5, C4)	2.6	102	06/94 02/97
A6 Avant (4A5, C4)	2.6	110	06/94 12/97
A6 Avant (4A5, C4)	2.6 quattro	110	06/94 12/97
A6 Avant (4A5, C4)	2.8	128	06/94 12/97
A6 Avant (4A5, C4)	2.8	142	12/95 12/97
A6 Avant (4A5, C4)	2.8 quattro	128	06/94 12/97
A6 Avant (4A5, C4)	2.8 quattro	142	12/95 12/97
A6 Avant (4B5, C5)	1.8	85	02/98 01/05
A6 Avant (4B5, C5)	1.8	92	12/97 01/05
A6 Avant (4B5, C5)	1.8 T	132	04/99 01/05

A6 Avant (4B5, C5)	1.8 T	110	12/97 01/05
A6 Avant (4B5, C5)	1.9 TDI	81	02/98 04/01
A6 Avant (4B5, C5)	1.9 TDI	85	07/00 01/05
A6 Avant (4B5, C5)	1.9 TDI	96	08/01 01/05
A6 Avant (4B5, C5)	2.0	96	08/01 01/05
A6 Avant (4B5, C5)	2.4	100	07/98 01/05
A6 Avant (4B5, C5)	2.4	125	08/01 01/05
A6 Avant (4B5, C5)	2.4	115	12/97 01/05
A6 Avant (4B5, C5)	2.4	120	12/97 01/05
A6 Avant (4B5, C5)	2.4	121	12/97 01/05
A6 Avant (4B5, C5)	2.5 TDI	132	02/00 01/05
A6 Avant (4B5, C5)	2.5 TDI	120	07/02 01/05
A6 Avant (4B5, C5)	2.5 TDI	114	08/01 01/05
A6 Avant (4B5, C5)	2.5 TDI	110	12/97 01/05
A6 Avant (4B5, C5)	2.7 T	169	02/99 01/05
A6 Avant (4B5, C5)	2.8	140	07/99 01/05
A6 Avant (4B5, C5)	2.8	142	12/97 01/05
A6 Avant (4B5, C5)	2.8	132	12/97 05/00
A6 Avant (4B5, C5)	3.0	160	06/01 01/05
A6 Avant (4B5, C5)	3.0	162	08/01 01/05
A6 Avant (4B5, C5)	3.7	191	03/99 01/05

AUDI (FAW)

Modell	Typ	kW	År
A6 (C5, 4Y8)	1.8	92	01/00 12/05
A6 (C5, 4Y8)	1.8 T	110	07/00 12/06
A6 (C5, 4Y8)	2.4	125	06/02 12/05
A6 (C5, 4Y8)	2.5 TDI	132	08/04 12/05
A6 (C5, 4Y8)	2.8	140	09/00 07/05

SKODA

Modell	Typ	kW	År
SUPERB I (3U4)	1.8 T	110	12/01 03/08
SUPERB I (3U4)	1.9 TDI	85	01/07 03/08

SUPERB I (3U4)	1.9 TDI	74	08/02 10/05
SUPERB I (3U4)	1.9 TDI	77	10/05 05/07
SUPERB I (3U4)	1.9 TDI	96	12/01 03/08
SUPERB I (3U4)	2.0	85	12/01 03/08
SUPERB I (3U4)	2.0 TDI	103	10/05 03/08
SUPERB I (3U4)	2.5 TDI	120	06/03 03/08
SUPERB I (3U4)	2.5 TDI	114	12/01 08/03
SUPERB I (3U4)	2.8 V6	140	06/02 03/08
SUPERB I (3U4)	2.8 V6	142	12/01 03/08
VW			
Modell	Typ	kW	År
PASSAT (3B2)	1.6	74	10/96 11/00
PASSAT (3B2)	1.8	85	01/97 11/00
PASSAT (3B2)	1.8	92	10/96 11/00
PASSAT (3B2)	1.8 T	110	10/96 11/00
PASSAT (3B2)	1.9 TDI	74	02/00 11/00
PASSAT (3B2)	1.9 TDI	85	08/98 11/00
PASSAT (3B2)	1.9 TDI	66	10/96 11/00
PASSAT (3B2)	1.9 TDI	81	10/96 11/00
PASSAT (3B2)	2.0	88	04/00 11/00
PASSAT (3B2)	2.3 VR5	110	10/96 11/00
PASSAT (3B2)	2.5 TDI	110	07/98 11/00
PASSAT (3B2)	2.8 V6	132	05/97 09/99
PASSAT (3B2)	2.8 V6	142	08/96 11/00
PASSAT (3B2)	2.8 V6	140	09/99 11/00
PASSAT (3B3)	1.6	75	11/00 05/05
PASSAT (3B3)	1.8 T	125	02/01 05/05
PASSAT (3B3)	1.8 T 20V	110	11/00 05/05
PASSAT (3B3)	1.9 TDI	74	11/00 05/05
PASSAT (3B3)	1.9 TDI	96	11/00 05/05
PASSAT (3B3)	2.0	85	11/00 05/05
PASSAT (3B3)	2.0	96	11/01 05/05

PASSAT (3B3)	2.0 TDI	100	12/03 05/05
PASSAT (3B3)	2.3 V5	125	11/00 05/05
PASSAT (3B3)	2.5 TDI	120	05/03 05/05
PASSAT (3B3)	2.5 TDI	110	11/00 05/05
PASSAT (3B3)	2.8	142	05/02 05/03
PASSAT Variant (3B5)	1.6	74	06/97 11/00
PASSAT Variant (3B5)	1.8	85	06/97 11/00
PASSAT Variant (3B5)	1.8	92	06/97 11/00
PASSAT Variant (3B5)	1.8 T	110	05/97 11/00
PASSAT Variant (3B5)	1.9 TDI	74	02/00 11/00
PASSAT Variant (3B5)	1.9 TDI	66	06/97 11/00
PASSAT Variant (3B5)	1.9 TDI	81	06/97 11/00
PASSAT Variant (3B5)	1.9 TDI	85	08/98 11/00
PASSAT Variant (3B5)	2.0	88	04/00 11/00
PASSAT Variant (3B5)	2.3 VR5	110	06/97 11/00
PASSAT Variant (3B5)	2.5 TDI	110	07/98 11/00
PASSAT Variant (3B5)	2.8 V6	142	06/97 11/00
PASSAT Variant (3B5)	2.8 V6	132	09/97 09/99
PASSAT Variant (3B5)	2.8 V6	140	09/99 11/00
PASSAT Variant (3B5)	2.8 V6 4motion	140	09/99 11/00
PASSAT Variant (3B6)	1.6	75	11/00 05/05
PASSAT Variant (3B6)	1.8 T	125	05/02 08/05
PASSAT Variant (3B6)	1.8 T 20V	110	11/00 05/05
PASSAT Variant (3B6)	1.9 TDI	74	11/00 05/05
PASSAT Variant (3B6)	1.9 TDI	96	11/00 05/05
PASSAT Variant (3B6)	2.0	85	11/00 05/05
PASSAT Variant (3B6)	2.0	96	11/01 05/05
PASSAT Variant (3B6)	2.0 TDI	100	12/03 05/05
PASSAT Variant (3B6)	2.3 VR5	125	11/00 05/05
PASSAT Variant (3B6)	2.5 TDI	120	05/03 05/05

PASSAT Variant (3B6)	2.5 TDI	110	11/00 05/05
PASSAT Variant (3B6)	2.8	142	10/00 08/05
VW (SVW)			
Modell	Typ	kW	År
PASSAT (B5, 9F8)	1.8	92	04/00 02/03
PASSAT (B5, 9F8)	1.8 Turbo	110	01/01 04/09
PASSAT (B5, 9F8)	1.9 D	85	01/08 04/09
PASSAT (B5, 9F8)	2.0	85	02/03 04/09
PASSAT (B5, 9F8)	2.8	140	12/01 12/06
PASSAT LINGYU (B5, 9F0, 9F9)	1.8	120	08/07 10/12
PASSAT LINGYU (B5, 9F0, 9F9)	1.8 T	110	11/05 10/12
PASSAT LINGYU (B5, 9F0, 9F9)	2.0	85	04/06 10/12
PASSAT LINGYU (B5, 9F0, 9F9)	2.8	140	11/05 10/12

OE-nummer

Kompatibla OE-nummer	
AUDI	4A0615601A
SKODA	4A0615601A
VW	4A0615601A
VW	8E0615601