



BRAKE DISC PAINTED

08.A029.11

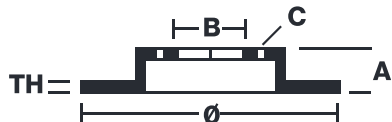
The **08.A029.11** painted brake disc is synonymous with reliability

The Brembo brake disc with special UV paint treatment guarantees superior corrosion resistance for the product, thanks to the protective coating on the outer edges and on the disc hub. The UV paint not only gives the disc a clean, shiny appearance but is also beneficial for the environment as the water-based UV paint treatment does not require the use of chemical solvents and is a low energy consumption process.

- ✓ OE-equivalent
- ✓ Brembo quality
- ✓ ECE-R90 certificate
- ✓ Safety
- ✓ Anti-corrosion

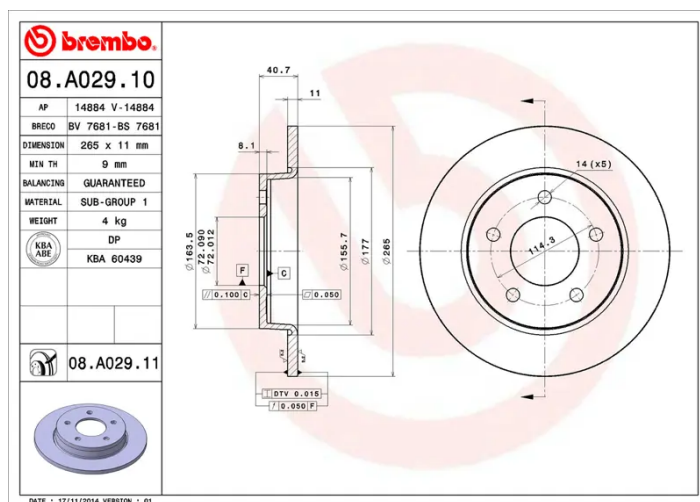


Technical specifications



EAN code	Axle	Diameter Ø
8020584215906	Rear	265 mm
Thickness (TH)	Height (A)	Number of holes (C)
11 mm	41 mm	5
Brake disc type	Centering (B)	Min. thickness
Solid	72 mm	9 mm

Tightening torque
103 Nm



COMPATIBLE VEHICLES

COMPATIBLE OE PART NUMBERS

BP4Y26251B	MAZDA
BP4Y26251C	MAZDA
BP4Y26251D	MAZDA
C24Y26251A	MAZDA
C24Y26251B	MAZDA
C24Y26251C	MAZDA
C24Y26251C9A	MAZDA
C24Y26251D	MAZDA
BFF426251	MAZDA (CHANGAN)