



# BRAKE DISC PAINTED

## 08.F206.11

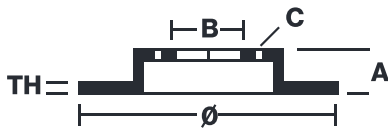
The 08.F206.11 painted brake disc is synonymous with reliability

The Brembo brake disc with special UV paint treatment guarantees superior corrosion resistance for the product, thanks to the protective coating on the outer edges and on the disc hub. The UV paint not only gives the disc a clean, shiny appearance but is also beneficial for the environment as the water-based UV paint treatment does not require the use of chemical solvents and is a low energy consumption process.

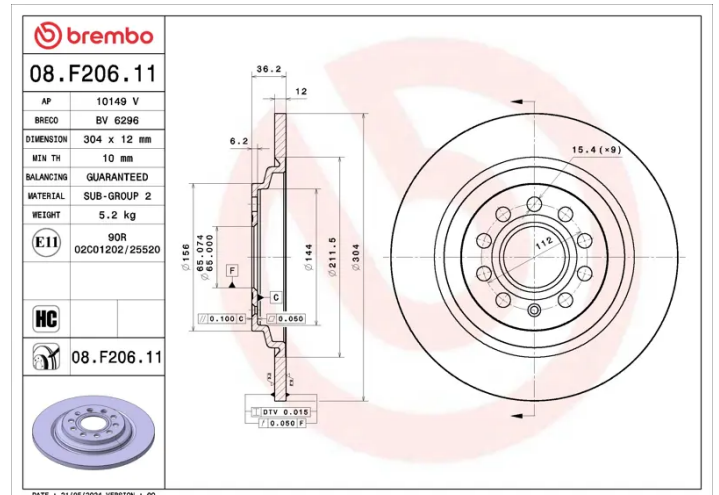
- ✓ OE-equivalent
- ✓ Brembo quality
- ✓ ECE-R90 certificate
- ✓ Safety
- ✓ High carbon
- ✓ Anti-corrosion



### Technical specifications



EAN code <b>8020584328590</b>	Axle <b>Rear</b>	Diameter Ø <b>304 mm</b>
Thickness (TH) <b>12 mm</b>	Height (A) <b>36,2 mm</b>	Number of holes (C) <b>9</b>
Brake disc type <b>Solid</b>	Centering (B) <b>65 mm</b>	Min. thickness <b>10 mm</b>



**COMPATIBLE VEHICLES**

## COMPATIBLE OE PART NUMBERS

10491104      MG (SAIC)