



BRAKE DISC PAINTED

08.N257.21

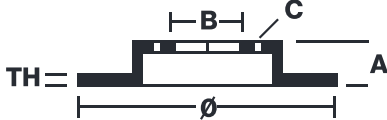
The 08.N257.21 painted brake disc is synonymous with reliability

The Brembo brake disc with special UV paint treatment guarantees superior corrosion resistance for the product, thanks to the protective coating on the outer edges and on the disc hub. The UV paint not only gives the disc a clean, shiny appearance but is also beneficial for the environment as the water-based UV paint treatment does not require the use of chemical solvents and is a low energy consumption process.

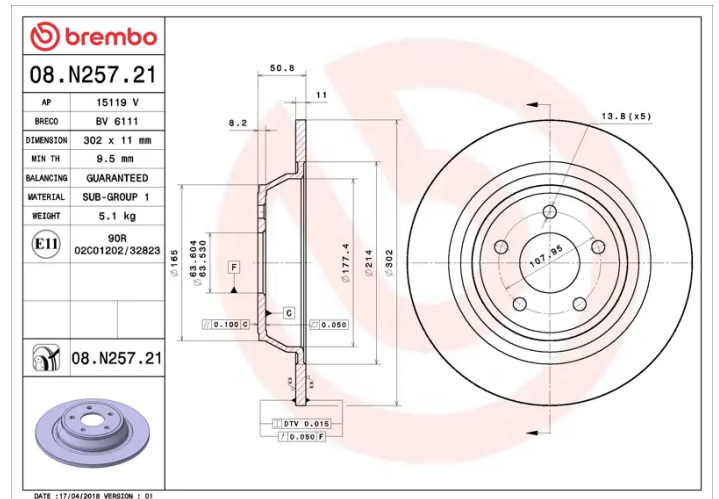


- ✓ OE-equivalent
- ✓ Brembo quality
- ✓ ECE-R90 certificate
- ✓ Safety
- ✓ Anti-corrosion

Technical specifications



EAN code 8020584229583	Axle Rear	Diameter \emptyset 302 mm
Thickness (TH) 11 mm	Height (A) 51 mm	Number of holes (C) 5
Brake disc type Solid	Centering (B) 64 mm	Min. thickness 9,5 mm



COMPATIBLE VEHICLES

COMPATIBLE OE PART NUMBERS

2016293 FORD

5202204 FORD

5322977 FORD

DG9C2A315BC FORD

DG9C2A315BD FORD

DG9C2A315BE FORD

5202204 FORD (CHANGAN)

520220A FORD (CHANGAN)

DG9C2A315B4B FORD (CHANGAN)

DG9C2A315BC FORD (CHANGAN)

DG9C2A315BD FORD (CHANGAN)
