



BRAKE DISC MAX

09.3148.75

The 09.3148.75 Max brake disc is synonymous with reliability

The Brembo Max brake disc features grooves on the braking surface. The special shape of the grooves generates greater fading resistance and constant renewal of friction material, quickly restoring optimum braking conditions. The UV paint completes the sporty look.

- ✓ Brembo quality
- ✓ ECE-R90 certificate
- ✓ Performance
- ✓ Sports driving
- ✓ Sporty look
- ✓ Anti-corrosion
- ✓ Fastening screws



Technical specifications



EAN code
8020584011263

Axle
Front

Diameter Ø
238 mm

Thickness (TH)
20 mm

Height (A)
41 mm

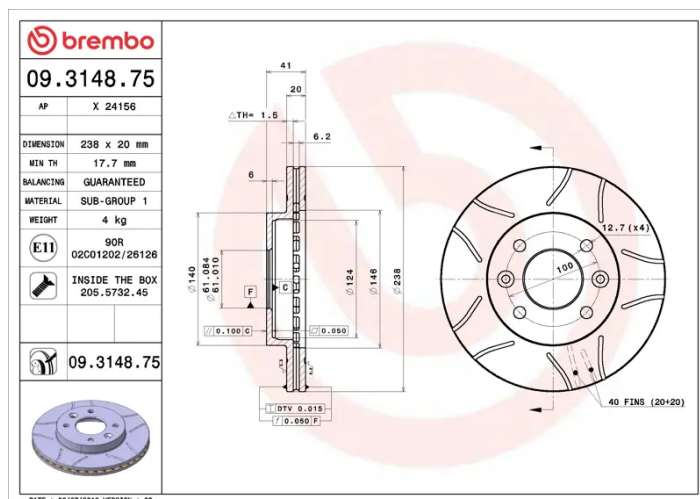
Number of holes (C)
4

Brake disc type
Ventilated

Centering (B)
61 mm

Min. thickness
17,7 mm

Tightening torque
85 Nm



COMPATIBLE VEHICLES

COMPATIBLE OE PART NUMBERS

4020600Q0D	NISSAN
------------	--------

4020600QAJ	NISSAN
------------	--------

7700756572	RENAULT
------------	---------

7701204286	RENAULT
------------	---------

8671000085	RENAULT
------------	---------