

Tekniska data för bromsskivan

Axel Fram	Diameter 242 mm
Total höjd (A) 40,5 mm	Centreringsdiameter (B) 86 mm
Antal hål (C) 4	Tjocklek (TH) 19 mm
Min. tjocklek 17,7 mm	Åtdragningsmoment  100 Nm
Enhet per låda 2	EAN-kod 8020584500415

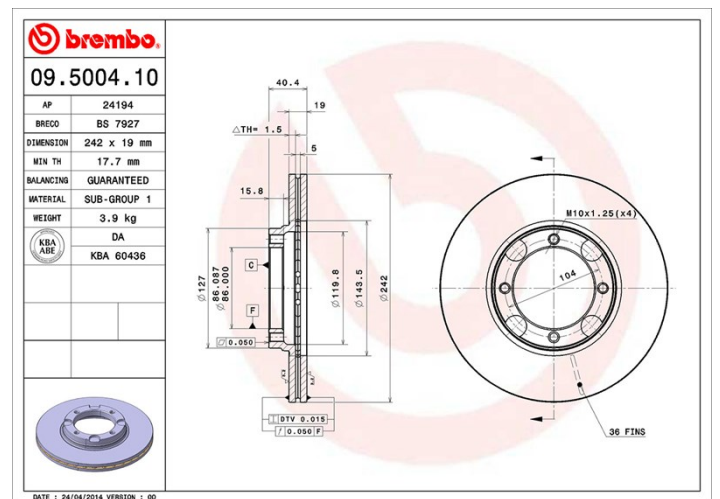


Märkeskoder

Brembo
09.5004.10

AP
24194

Breco
BS 7927



Tekniska specifikationer

Kompatibla fordon

HYUNDAI

Modell	Typ	kW/CV	År
ACCENT I (X-3) / SOLARIS I (X-3)	1.3	44/60	10/94 01/00
ACCENT I (X-3) / SOLARIS I (X-3)	1.3	55/75	10/94 01/00
ACCENT I (X-3) / SOLARIS I (X-3)	1.3 i 12V	62/84	10/94 01/00
ACCENT I (X-3) / SOLARIS I (X-3)	1.5 i 12V	65/88	10/94 01/00
ACCENT I (X-3) / SOLARIS I (X-3)	1.5 i 16V	73/99	12/95 01/00
ACCENT Saloon (X-3) / SOLARIS Saloon (X-3)	1.3	44/60	10/94 01/00
ACCENT Saloon (X-3) / SOLARIS Saloon (X-3)	1.3	55/75	10/94 01/00
ACCENT Saloon (X-3) / SOLARIS Saloon (X-3)	1.3 i 12V	62/84	10/94 01/00
ACCENT Saloon (X-3) / SOLARIS Saloon (X-3)	1.5	63/85	10/94 07/99

ACCENT Saloon (X-3) / SOLARIS Saloon (X-3)	1.5 i 12V	65/88	10/94 01/00
ACCENT Saloon (X-3) / SOLARIS Saloon (X-3)	1.5 i 16V	73/99	10/95 01/00
PONY (X-2)	1.3	43/58	10/89 01/95
PONY (X-2)	1.3	49/67	10/89 01/95
PONY (X-2)	1.5	53/72	10/89 01/95
PONY (X-2)	1.5 i	61/83	10/89 01/95
PONY (X-2)	1.5 i	62/84	10/89 01/95
PONY / EXCEL Saloon (X-2)	1.3	49/67	01/90 01/95
PONY / EXCEL Saloon (X-2)	1.3	51/69	09/89 08/94
PONY / EXCEL Saloon (X-2)	1.3	48/65	12/92 09/94
PONY / EXCEL Saloon (X-2)	1.5	53/72	01/90 01/95
PONY / EXCEL Saloon (X-2)	1.5 i	61/83	01/90 01/95
PONY / EXCEL Saloon (X-2)	1.5 i	62/84	01/90 01/95
S COUPE (SLC)	1.5 GS	57/78	03/90 12/92
S COUPE (SLC)	1.5 i	62/84	02/90 05/96
S COUPE (SLC)	1.5 i	65/88	04/92 05/96
S COUPE (SLC)	1.5 i Turbo	85/116	04/91 05/96

OE-nummer

Kompatibla OE-nummer

HYUNDAI	5171221350
HYUNDAI	5171221B00
HYUNDAI	5171224100