



BRAKE DISC

09.6766.10

The **09.6766.10** brake disc is synonymous with reliability

The Brembo brake disc is fully interchangeable with an Original Equipment brake disc. The control of the entire production cycle allows Brembo to offer brake discs with outstanding performance levels, reliability, durability and comfort in all conditions of use. All Brembo brake discs are accompanied by the ECE-R90 homologation.

- ✓ OE-equivalent
- ✓ Brembo quality
- ✓ ECE-R90 certificate
- ✓ Safety



Technical specifications



EAN code
8020584676615

Axle
Front

Diameter Ø
278 mm

Thickness (TH)
24 mm

Height (A)
47 mm

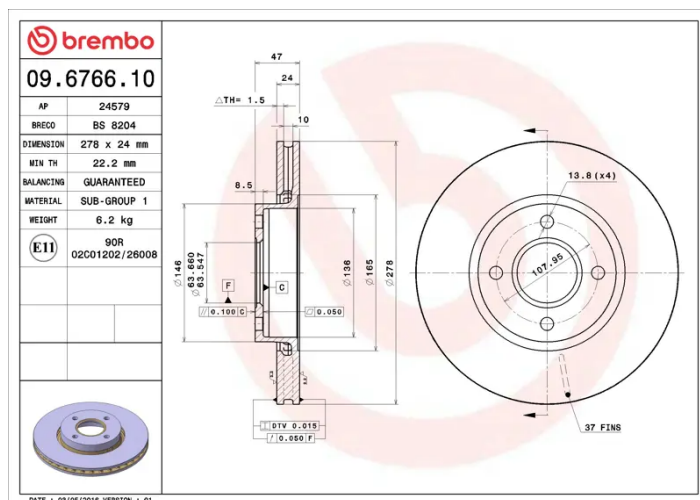
Number of holes (C)
4

Brake disc type
Ventilated

Centering (B)
64 mm

Min. thickness
22,2 mm

Tightening torque
100 Nm



COMPATIBLE VEHICLES

COMPATIBLE OE PART NUMBERS

5026785	AC
1513979	FORD
4044278	FORD
4056031	FORD
4070864	FORD
5026785	FORD
6676462	FORD
93BB1125E3C	FORD
93BX1125CB	FORD