



BRAKE DISC PAINTED

09.7727.11

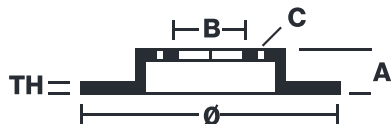
The 09.7727.11 painted brake disc is synonymous with reliability

The Brembo brake disc with special UV paint treatment guarantees superior corrosion resistance for the product, thanks to the protective coating on the outer edges and on the disc hub. The UV paint not only gives the disc a clean, shiny appearance but is also beneficial for the environment as the water-based UV paint treatment does not require the use of chemical solvents and is a low energy consumption process.

- ✓ OE-equivalent
- ✓ Brembo quality
- ✓ ECE-R90 certificate
- ✓ Safety
- ✓ High carbon
- ✓ Anti-corrosion
- ✓ Fastening screws



Technical specifications



EAN code
8020584025468

Axle
Rear

Diameter Ø
276 mm

Thickness (TH)
19 mm

Height (A)
60 mm

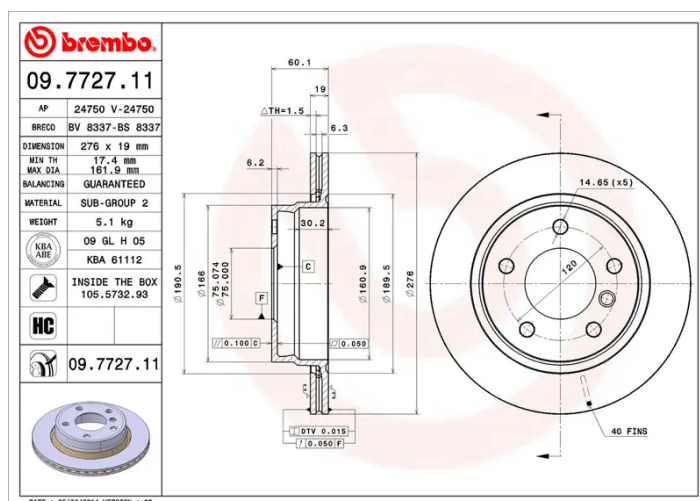
Number of holes (C)
5

Brake disc type
Ventilated

Centering (B)
75 mm

Min. thickness
17,4 mm

Tightening torque
120 Nm



COMPATIBLE OE PART NUMBERS

34211162315 BMW

34211164403 BMW

34211165211 BMW

34216855155 BMW

34216864903 BMW

34211162315 BMW (BRILLIANCE)

34211165211 BMW (BRILLIANCE)

34216855155 BMW (BRILLIANCE)

34216864903 BMW (BRILLIANCE)

34211162315 DE LA CHAPELLE
