

Tekniska data för bromsskivan

Axel Fram

Diameter
275 mm

Total höjd (A)
49,2 mm

Centreringsdiameter (B)
62 mm

Antal hål (C)
5

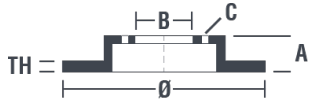
Tjocklek (TH)
28 mm

Min. tjocklek
26 mm

Åtdragningsmoment 
103 Nm

Enhet per låda
2

EAN-kod
8020584016244

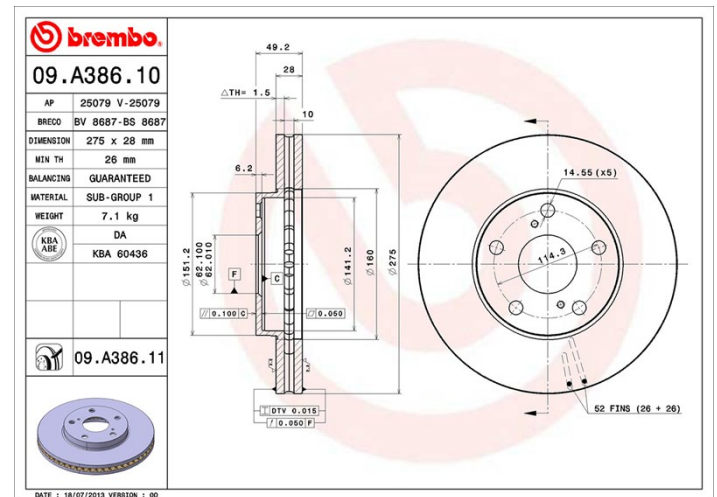


Märkeskoder

Brembo
09.A386.10

AP
25079

Breco
BS 8687



Tekniska specifikationer

Kompatibla fordon

LEXUS

Modell	Typ	kW	År
ES (VCV10_, VZV21_)	300 (VCV10_)	138	09/91 12/97

TOYOTA

Modell	Typ	kW	År
AVENSIS VERSO (_M2_)	2.0 (ACM20_)	110	08/01 11/09
AVENSIS VERSO (_M2_)	2.0 D (CLM20_)	85	08/01 08/05
AVENSIS VERSO (_M2_)	2.4 (ACM21)	115	08/01 08/07
AVENSIS VERSO (_M2_)	2.4 4WD (ACM21_)	115	11/03 08/06
CAMRY (_V1_)	2.2 (SDV10, SXV10)	93	02/93 08/97
CAMRY (_V1_)	2.2 (SXV10_)	100	06/91 07/96

CAMRY (_V1_)	3.0 (MCV10_)	135	09/93 07/96
CAMRY (_V1_)	3.0 (VCV10_)	136	06/91 09/95
CAMRY (_V1_)	3.0 (VCV10_)	138	06/91 08/96
CAMRY (_V2_)	2.2 (SXV20_)	96	08/96 11/01
CAMRY (_V2_)	2.2 (SXV20_)	93	08/97 09/02
CAMRY (_V2_)	3.0 (VDV10)	140	08/96 07/01
CAMRY (_V2_)	3.0 24V (MCV20_)	140	08/96 11/01
CAMRY (_V2_)	3.0 V6 (MCV20_)	135	08/96 11/01
CAMRY Estate (_V1_)	2.2 (SXV10_)	100	09/91 07/96
CAMRY Estate (_V1_)	3.0 (VCV10_)	138	09/91 07/96
CAMRY Saloon (_V3_)	2.4 (ACV30_, ACV36)	112	11/01 11/06
PREVIA (_R3_)	2.0 D-4D (CLR30_)	85	03/01 01/06
PREVIA (_R3_)	2.4 (ACR30)	115	02/00 02/06

OE-nummer

Kompatibla OE-nummer

LEXUS	4351233040
LEXUS	4351233060
TOYOTA	4351206020
TOYOTA	4351206040
TOYOTA	4351207020
TOYOTA	4351233040
TOYOTA	4351233041
TOYOTA	4351233042
TOYOTA	4351233060
TOYOTA	4351233090
TOYOTA	4351244010
TOYOTA	4351244020
TOYOTA	4351244021