



BRAKE DISC PAINTED

09.A968.11

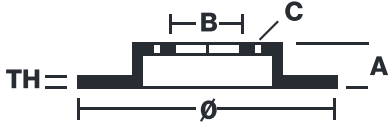
The **09.A968.11** painted brake disc is synonymous with reliability

The Brembo brake disc with special UV paint treatment guarantees superior corrosion resistance for the product, thanks to the protective coating on the outer edges and on the disc hub. The UV paint not only gives the disc a clean, shiny appearance but is also beneficial for the environment as the water-based UV paint treatment does not require the use of chemical solvents and is a low energy consumption process.

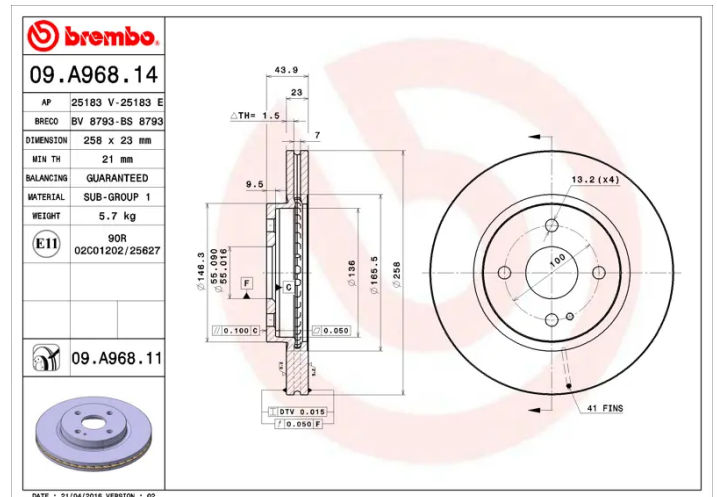


- ✓ OE-equivalent
- ✓ Brembo quality
- ✓ ECE-R90 certificate
- ✓ Safety
- ✓ Anti-corrosion

Technical specifications



EAN code 8020584222249	Axle Front	Diameter \varnothing 258 mm
Thickness (TH) 23 mm	Height (A) 44 mm	Number of holes (C) 4
Brake disc type Ventilated	Centering (B) 55 mm	Min. thickness 21 mm
Tightening torque 103 Nm		



COMPATIBLE VEHICLES

COMPATIBLE OE PART NUMBERS

DN2033251	FORD
DG8033251A	FORD (CHANGAN)
DK4133251	FORD (CHANGAN)
DN2033251	FORD ASIA & OCEANIA
DN2033251	FORD USA
DF7133251	MAZDA
DF7133251A	MAZDA
DN2033251	MAZDA
DG8033251	MAZDA (CHANGAN)
DG8033251A	MAZDA (CHANGAN)