



BRAKE DISC PAINTED

09.A969.11

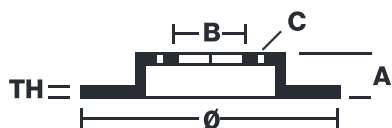
The 09.A969.11 painted brake disc is synonymous with reliability

The Brembo brake disc with special UV paint treatment guarantees superior corrosion resistance for the product, thanks to the protective coating on the outer edges and on the disc hub. The UV paint not only gives the disc a clean, shiny appearance but is also beneficial for the environment as the water-based UV paint treatment does not require the use of chemical solvents and is a low energy consumption process.

- ✓ OE-equivalent
- ✓ Brembo quality
- ✓ ECE-R90 certificate
- ✓ Safety
- ✓ Anti-corrosion



Technical specifications



EAN code
8020584222256

Axle
Front

Diameter Ø
296 mm

Thickness (TH)
30 mm

Height (A)
51 mm

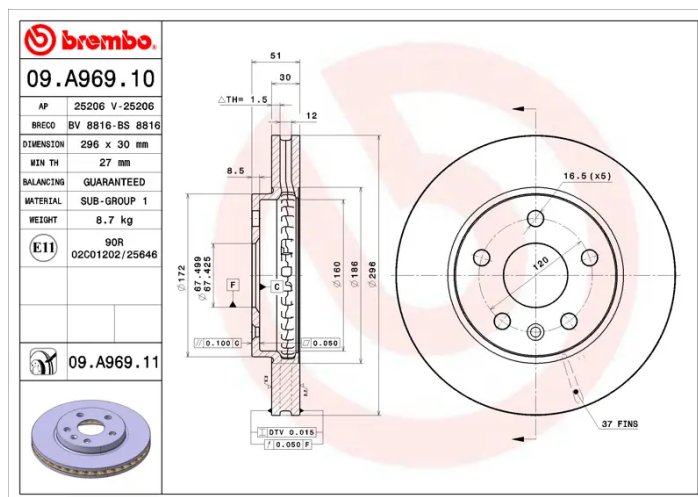
Number of holes (C)
5

Brake disc type
Ventilated

Centering (B)
67 mm

Min. thickness
27 mm

Tightening torque
150 Nm



COMPATIBLE VEHICLES

COMPATIBLE OE PART NUMBERS

23118529	BUICK
13501307	BUICK (SGM)
13501319	BUICK (SGM)
13501296	CHEVROLET
13501307	CHEVROLET
13501319	CHEVROLET
23118529	CHEVROLET
13501319	CHEVROLET (SGM)
13501307	OPEL
13502213	OPEL
13579147	OPEL
569063	OPEL
569078	OPEL
569421	OPEL
13502213	SAAB
13579148	SAAB
13501307	VAUXHALL
13502213	VAUXHALL
13579147	VAUXHALL