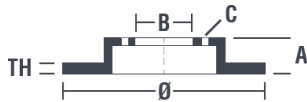


## Tekniska data för bromsskivan

|                                |   |
|--------------------------------|---|
| <b>Axel</b> Fram               | <b>Diameter</b><br>304 mm               |
| <b>Total höjd (A)</b><br>48 mm | <b>Centreringsdiameter (B)</b><br>71 mm |
| <b>Antal hål (C)</b><br>5      | <b>Tjocklek (TH)</b><br>28 mm           |
| <b>Min. tjocklek</b><br>26 mm  | <b>Åtdragningsmoment</b><br>Nm          |
| <b>Enhet per låda</b><br>1     | <b>EAN-kod</b><br>8020584220993         |



**Enhet per låda**  
1

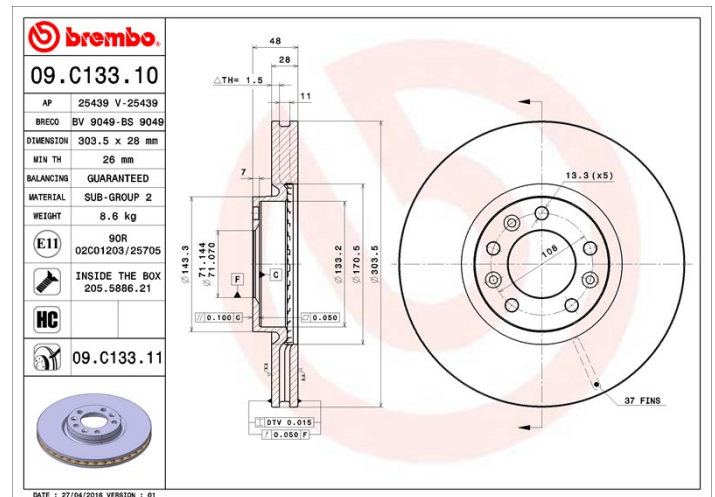


## Märkeskoder

**Brembo**  
09.C133.11

**AP**  
25439 V

**Breco**  
BV 9049



## Tekniska specifikationer

### Bromsskiva High Carbon (HC)

Tack vare den höga andelen kol i den kemiska sammansättningen av gjutjärnet, ger **HC-skivan** en större dämpningskoefficient, som kan reducera vibrationerna och missljud under köringen.



### Bromsskiva med fästskruvar

Genom att skicka med fästskruven i bromsskivans förpackning, ger Brembo en extra hjälp för mekanikern om originalsruven skulle vara rostig eller så sliten att dess återanvändning förhindras eller är svårartad.



### UV-skiva

**UV-beläggningstekniken** som har utvecklats i samarbete med biltillverkare, garanterar en överlägsen beständighet mot korrosion och ett **komplett skydd** av bromsskivan.



## Kompatibla fordon

### CITROËN

| Modell        | Typ              | kW | År      |
|---------------|------------------|----|---------|
| BERLINGO (B9) | 1.2 PureTech 110 | 81 | 02/16 - |
| BERLINGO (K9) | 1.2 PureTech 110 | 81 | 06/18 - |
| BERLINGO (K9) | 1.5 BlueHDi 100  | 75 | 06/18 - |

|                      |                                     |     |             |
|----------------------|-------------------------------------|-----|-------------|
| BERLINGO (K9)        | 1.5 BlueHDi 130 (ECYHZJ,<br>ECYHZR) | 96  | 06/18 -     |
| BERLINGO (K9)        | 1.5 BlueHDi 75                      | 56  | 06/18 -     |
| C4 Grand Picasso II  | 1.2 THP 130                         | 96  | 04/14 -     |
| C4 Grand Picasso II  | 1.6 BlueHDi 100                     | 73  | 01/15 -     |
| C4 Grand Picasso II  | 1.6 BlueHDi 120                     | 88  | 07/14 -     |
| C4 Grand Picasso II  | 1.6 HDi / BlueHDi 115               | 85  | 09/13 -     |
| C4 Grand Picasso II  | 1.6 HDi 90                          | 68  | 09/13 -     |
| C4 Grand Picasso II  | 1.6 THP 150                         | 110 | 09/14 -     |
| C4 Grand Picasso II  | 1.6 THP 155                         | 115 | 09/13 -     |
| C4 Grand Picasso II  | 1.6 THP 165                         | 121 | 07/14 -     |
| C4 Grand Picasso II  | 1.6 VTi 120                         | 88  | 09/13 -     |
| C4 Grand Picasso II  | 2.0 BlueHDi 135                     | 100 | 09/13 -     |
| C4 Grand Picasso II  | 2.0 BlueHDi 150                     | 110 | 09/13 -     |
| C4 Picasso II        | 1.2 THP 110                         | 81  | 04/16 -     |
| C4 Picasso II        | 1.2 THP 130                         | 96  | 04/14 -     |
| C4 Picasso II        | 1.6 BlueHDi 100                     | 73  | 12/14 -     |
| C4 Picasso II        | 1.6 BlueHDi 120                     | 88  | 07/14 -     |
| C4 Picasso II        | 1.6 HDi / BlueHDi 115               | 85  | 02/13 -     |
| C4 Picasso II        | 1.6 HDi 90                          | 68  | 02/13 -     |
| C4 Picasso II        | 1.6 THP 150                         | 110 | 09/14 -     |
| C4 Picasso II        | 1.6 THP 155                         | 115 | 02/13 -     |
| C4 Picasso II        | 1.6 THP 165                         | 121 | 07/14 -     |
| C4 Picasso II        | 1.6 VTi 120                         | 88  | 02/13 -     |
| C4 Picasso II        | 2.0 BlueHDi 135                     | 100 | 09/13 -     |
| C4 Picasso II        | 2.0 BlueHDi 150                     | 110 | 09/13 -     |
| C4 Picasso II        | 2.0 i 16V                           | 105 | 06/13 12/14 |
| C4 SPACETOURER (3D_) | 1.2 PureTech 110                    | 81  | 04/18 -     |
| C4 SPACETOURER (3D_) | 1.2 PureTech 130                    | 96  | 04/18 -     |
| C4 SPACETOURER (3D_) | 1.5 BlueHDi 130                     | 96  | 05/18 -     |
| C4 SPACETOURER (3D_) | 1.6 BlueHDi 100                     | 73  | 04/18 -     |
| C4 SPACETOURER (3D_) | 1.6 BlueHDi 120                     | 88  | 04/18 -     |

|                                 |                           |     |         |
|---------------------------------|---------------------------|-----|---------|
| C4 SPACETOURER (3D_)            | 1.6 THP 165               | 121 | 04/18 - |
| C4 SPACETOURER (3D_)            | 2.0 BlueHDi 150           | 110 | 04/18 - |
| C4 SPACETOURER (3D_)            | 2.0 BlueHDi 160           | 120 | 04/18 - |
| C5 III Break (RW_)              | 2.0 HDi 150 / BlueHDi 150 | 110 | 04/09 - |
| C5 III Break (RW_)              | 2.0 HDi 165               | 120 | 04/09 - |
| GRAND C4 SPACETOURER (3A_, 3E_) | 1.2 PureTech 130          | 96  | 04/18 - |
| GRAND C4 SPACETOURER (3A_, 3E_) | 1.5 BlueHDi 130           | 96  | 05/18 - |
| GRAND C4 SPACETOURER (3A_, 3E_) | 1.6 BlueHDi 100           | 73  | 04/18 - |
| GRAND C4 SPACETOURER (3A_, 3E_) | 1.6 BlueHDi 120           | 88  | 04/18 - |
| GRAND C4 SPACETOURER (3A_, 3E_) | 1.6 THP 165               | 121 | 04/18 - |
| GRAND C4 SPACETOURER (3A_, 3E_) | 2.0 BlueHDi 150           | 110 | 04/18 - |
| GRAND C4 SPACETOURER (3A_, 3E_) | 2.0 BlueHDi 160           | 120 | 04/18 - |

## DS

| Modell         | Typ              | kW  | År      |
|----------------|------------------|-----|---------|
| DS 7 Crossback | 1.5 BlueHDi 130  | 96  | 09/17 - |
| DS 7 Crossback | 1.6 PureTech 180 | 133 | 04/18 - |
| DS 7 Crossback | 1.6 PureTech 225 | 165 | 09/17 - |
| DS 7 Crossback | 2.0 BlueHDi 180  | 130 | 09/17 - |

## OPEL

| Modell                        | Typ              | kW | År      |
|-------------------------------|------------------|----|---------|
| COMBO Box Body / Estate (X19) | 1.5 D            | 56 | 08/18 - |
| COMBO Box Body / Estate (X19) | 1.5 D            | 75 | 08/18 - |
| COMBO Box Body / Estate (X19) | 1.5 D            | 96 | 08/18 - |
| COMBO Box Body / Estate (X19) | 1.6 D            | 55 | 06/18 - |
| COMBO Box Body / Estate (X19) | 1.6 D            | 73 | 06/18 - |
| COMBO MPV (X19)               | 1.2              | 81 | 06/18 - |
| COMBO MPV (X19)               | 1.5              | 56 | 06/18 - |
| COMBO MPV (X19)               | 1.5              | 75 | 06/18 - |
| COMBO MPV (X19)               | 1.5              | 96 | 06/18 - |
| GRANDLAND X (A18)             | 1.2 (75)         | 96 | 06/17 - |
| GRANDLAND X (A18)             | 1.5 Turbo D (75) | 96 | 04/18 - |
| GRANDLAND X (A18)             | 1.5 Turbo D (75) | 75 | 06/18 - |

| GRANDLAND X (A18)              | 1.6 Turbo (75)           | 133 | 09/18 - |
|--------------------------------|--------------------------|-----|---------|
| GRANDLAND X (A18)              | 1.6 Turbo D (75)         | 88  | 06/17 - |
| GRANDLAND X (A18)              | 2.0 D (75)               | 130 | 11/17 - |
| <b>PEUGEOT</b>                 |                          |     |         |
| Modell                         | Typ                      | kW  | År      |
| 3008 SUV (M_)                  | 1.2 PureTech 130         | 96  | 05/16 - |
| 3008 SUV (M_)                  | 1.5 BlueHDi 130          | 96  | 02/18 - |
| 3008 SUV (M_)                  | 1.6 BlueHDi 100          | 73  | 11/16 - |
| 3008 SUV (M_)                  | 1.6 BlueHDi 115          | 85  | 11/16 - |
| 3008 SUV (M_)                  | 1.6 BlueHDi 120          | 88  | 05/16 - |
| 3008 SUV (M_)                  | 1.6 THP 165              | 121 | 05/16 - |
| 3008 SUV (M_)                  | 2.0 BlueHDi 136          | 100 | 11/16 - |
| 3008 SUV (M_)                  | 2.0 BlueHDi 150          | 110 | 05/16 - |
| 3008 SUV (M_)                  | 2.0 BlueHDi 180          | 130 | 01/18 - |
| 3008 SUV (M_)                  | 2.0 BlueHDi 180          | 133 | 05/16 - |
| 308 Box Body / Hatchback (LB_) | 1.6 BlueHDi 120 (LBBHZM) | 88  | 03/15 - |
| 308 Box Body / Hatchback (LB_) | 1.6 e-HDi 115 (LB9HCG)   | 85  | 03/15 - |
| 308 II                         | 1.2 THP 110              | 81  | 11/13 - |
| 308 II                         | 1.2 THP 130              | 96  | 11/13 - |
| 308 II                         | 1.2 VTi 72               | 60  | 09/13 - |
| 308 II                         | 1.5 BlueHDi 100          | 75  | 05/18 - |
| 308 II                         | 1.5 BlueHDi 130          | 96  | 06/17 - |
| 308 II                         | 1.6                      | 85  | 05/15 - |
| 308 II                         | 1.6                      | 115 | 09/13 - |
| 308 II                         | 1.6 BlueHDi 120          | 88  | 11/13 - |
| 308 II                         | 1.6 GT 205               | 151 | 06/14 - |
| 308 II                         | 1.6 GTi                  | 200 | 06/15 - |
| 308 II                         | 1.6 GTi                  | 184 | 08/15 - |
| 308 II                         | 1.6 HDi                  | 68  | 09/13 - |
| 308 II                         | 1.6 HDi / BlueHDi 115    | 85  | 09/13 - |
| 308 II                         | 1.6 HDi 100              | 73  | 04/14 - |
| 308 II                         | 1.6 THP                  | 112 | 09/13 - |

|                                  |                              |     |             |
|----------------------------------|------------------------------|-----|-------------|
| 308 II                           | 1.6 THP 125                  | 92  | 09/13 -     |
| 308 II                           | 1.6 THP 150                  | 110 | 03/14 -     |
| 308 II                           | 1.6 THP 163                  | 120 | 06/14 -     |
| 308 II                           | 2.0 BlueHDi 150              | 110 | 11/13 -     |
| 308 II                           | 2.0 GT BlueHDi 180           | 130 | 06/17 -     |
| 308 II                           | 2.0 GT HDi 180 / BlueHDi 180 | 133 | 06/14 -     |
| 308 SWII                         | 1.2 THP 110                  | 81  | 03/14 -     |
| 308 SWII                         | 1.2 THP 130                  | 96  | 03/14 -     |
| 308 SWII                         | 1.5 BlueHDi 100              | 75  | 04/18 -     |
| 308 SWII                         | 1.5 BlueHDi 130              | 96  | 06/17 -     |
| 308 SWII                         | 1.6 BlueHDi 100              | 73  | 04/14 -     |
| 308 SWII                         | 1.6 BlueHDi 120              | 88  | 03/14 -     |
| 308 SWII                         | 1.6 GT 205                   | 151 | 02/15 -     |
| 308 SWII                         | 1.6 HDi / BlueHDi 115        | 85  | 03/14 -     |
| 308 SWII                         | 1.6 HDi 92                   | 68  | 03/14 -     |
| 308 SWII                         | 1.6 THP 125                  | 92  | 03/14 -     |
| 308 SWII                         | 1.6 THP 150                  | 110 | 03/14 -     |
| 308 SWII                         | 1.6 THP 155                  | 115 | 03/14 -     |
| 308 SWII                         | 1.6 VTi                      | 85  | 03/14 -     |
| 308 SWII                         | 2.0 BlueHDi 150              | 110 | 03/14 -     |
| 308 SWII                         | 2.0 GT BlueHDi 180           | 132 | 06/17 -     |
| 308 SWII                         | 2.0 GT HDi 180 / BlueHDi 180 | 133 | 06/14 -     |
| 308 SWII Box Body / Estate (LC_) | 1.6 BlueHDi                  | 73  | 04/14 -     |
| 407 (6D_)                        | 2.0 HDi                      | 120 | 06/09 12/10 |
| 407 SW (6E_)                     | 2.0 HDi                      | 120 | 06/09 12/10 |
| 5008 II                          | 1.2                          | 96  | 12/16 -     |
| 5008 II                          | 1.5 BlueHDi 130              | 96  | 02/18 -     |
| 5008 II                          | 1.6 BlueHDi 100              | 73  | 12/16 -     |
| 5008 II                          | 1.6 BlueHDi 115              | 85  | 12/16 -     |
| 5008 II                          | 1.6 BlueHDi 120              | 88  | 12/16 -     |

|                               |                                     |     |         |
|-------------------------------|-------------------------------------|-----|---------|
| 5008 II                       | 1.6 THP 165                         | 121 | 12/16 - |
| 5008 II                       | 2.0 BlueHDi 136                     | 100 | 12/16 - |
| 5008 II                       | 2.0 BlueHDi 150                     | 110 | 12/16 - |
| 5008 II                       | 2.0 BlueHDi 180                     | 130 | 01/18 - |
| 5008 II                       | 2.0 BlueHDi 180                     | 133 | 12/16 - |
| 508 I (8D_)                   | 1.6 BlueHDi 120                     | 88  | 03/14 - |
| 508 I (8D_)                   | 1.6 HDi                             | 84  | 02/12 - |
| 508 I (8D_)                   | 1.6 HDi                             | 85  | 09/14 - |
| 508 I (8D_)                   | 1.6 HDi                             | 82  | 11/10 - |
| 508 I (8D_)                   | 1.6 THP                             | 120 | 01/12 - |
| 508 I (8D_)                   | 1.6 THP                             | 121 | 09/11 - |
| 508 I (8D_)                   | 1.6 THP                             | 110 | 11/10 - |
| 508 I (8D_)                   | 1.6 THP                             | 115 | 11/10 - |
| 508 I (8D_)                   | 1.6 VTi                             | 85  | 11/10 - |
| 508 I (8D_)                   | 1.6 VTi                             | 88  | 11/10 - |
| 508 I (8D_)                   | 2.0 BlueHDi 150                     | 110 | 04/14 - |
| 508 I (8D_)                   | 2.0 BlueHDi 180                     | 133 | 04/14 - |
| 508 I (8D_)                   | 2.0 HDi                             | 100 | 11/10 - |
| 508 I (8D_)                   | 2.0 HDi                             | 103 | 11/10 - |
| 508 I (8D_)                   | 2.0 HDi                             | 120 | 11/10 - |
| 508 I (8D_)                   | 2.0 HDi Hybrid4 AWC                 | 120 | 11/10 - |
| 508 I (8D_)                   | 2.0 HDi Hybrid4 AWC                 | 147 | 11/10 - |
| 508 I (8D_)                   | 2.2 HDi                             | 150 | 11/10 - |
| 508 II (FB_, F3_)             | 1.5 BlueHDi 130 (FBYHZJ,<br>FBYHZR) | 96  | 10/18 - |
| 508 II (FB_, F3_)             | 1.6 PureTech 180 (F35GFR)           | 133 | 10/18 - |
| 508 II (FB_, F3_)             | 1.6 PureTech 225 (F35GGR)           | 165 | 10/18 - |
| 508 II (FB_, F3_)             | 2.0 BlueHDi 160 (FHEHYR)            | 120 | 10/18 - |
| 508 II (FB_, F3_)             | 2.0 BlueHDi 180 (FHEHZR,<br>FHEHZN) | 130 | 10/18 - |
| 508 SWBox Body / Estate (8E_) | 1.6 HDi                             | 84  | 03/13 - |
| 508 SWBox Body / Estate (8E_) | 2.0 HDi                             | 103 | 03/13 - |
| 508 SWBox Body / Estate (8E_) | 2.0 HDi                             | 120 | 03/13 - |

|                               |                        |     |         |
|-------------------------------|------------------------|-----|---------|
| 508 SWBox Body / Estate (8E_) | 2.2 HDi                | 150 | 11/11 - |
| 508 SWI (8E_)                 | 1.6                    | 121 | 02/12 - |
| 508 SWI (8E_)                 | 1.6 BlueHDi 120        | 88  | 03/14 - |
| 508 SWI (8E_)                 | 1.6 HDi                | 84  | 02/12 - |
| 508 SWI (8E_)                 | 1.6 HDi                | 85  | 09/14 - |
| 508 SWI (8E_)                 | 1.6 HDi                | 82  | 11/10 - |
| 508 SWI (8E_)                 | 1.6 THP                | 110 | 11/10 - |
| 508 SWI (8E_)                 | 1.6 THP                | 115 | 11/10 - |
| 508 SWI (8E_)                 | 1.6 VTi                | 85  | 11/10 - |
| 508 SWI (8E_)                 | 1.6 VTi                | 88  | 11/10 - |
| 508 SWI (8E_)                 | 2.0 BlueHDi 150        | 110 | 04/14 - |
| 508 SWI (8E_)                 | 2.0 BlueHDi 180        | 133 | 04/14 - |
| 508 SWI (8E_)                 | 2.0 HDi                | 100 | 11/10 - |
| 508 SWI (8E_)                 | 2.0 HDi                | 103 | 11/10 - |
| 508 SWI (8E_)                 | 2.0 HDi                | 120 | 11/10 - |
| 508 SWI (8E_)                 | 2.0 HDi 180 RXH        | 133 | 10/14 - |
| 508 SWI (8E_)                 | 2.2 HDi                | 150 | 11/10 - |
| 508 SWII (FE_, F4_)           | 1.5 BlueHDi 130        | 96  | 09/18 - |
| 508 SWII (FE_, F4_)           | 1.6 PureTech 180       | 133 | 09/18 - |
| 508 SWII (FE_, F4_)           | 1.6 PureTech 225       | 165 | 09/18 - |
| 508 SWII (FE_, F4_)           | 2.0 BlueHDi 160        | 120 | 09/18 - |
| 508 SWII (FE_, F4_)           | 2.0 BlueHDi 180        | 130 | 09/18 - |
| RIFTER                        | 1.2 PureTech 110       | 81  | 09/18 - |
| RIFTER                        | 1.5 BlueHDi 100        | 75  | 09/18 - |
| RIFTER                        | 1.5 BlueHDi 130        | 96  | 09/18 - |
| RIFTER                        | 1.5 BlueHDi 75 (ECYHM) | 55  | 09/18 - |
| <b>PEUGEOT (DF-PSA)</b>       |                        |     |         |
| Modell                        | Typ                    | kW  | År      |
| 308S Hatchback                | 1.2 THP                | 100 | 04/15 - |
| 308S Hatchback                | 1.6 THP                | 123 | 04/15 - |
| 308S Hatchback                | 1.6 VTi                | 86  | 04/15 - |
| 508 Saloon                    | 1.6 THP                | 123 | 01/15 - |

|            |         |     |             |
|------------|---------|-----|-------------|
| 508 Saloon | 1.8 THP | 150 | 01/15 -     |
| 508 Saloon | 2.0     | 108 | 07/11 12/17 |
| 508 Saloon | 2.3     | 126 | 07/11 12/15 |

## VAUXHALL

| Modell                    | Typ              | kW  | År      |
|---------------------------|------------------|-----|---------|
| COMBO Box Body / Estate   | 1.5 D            | 56  | 08/18 - |
| COMBO Box Body / Estate   | 1.5 D            | 75  | 08/18 - |
| COMBO Box Body / Estate   | 1.5 D            | 96  | 08/18 - |
| COMBO Box Body / Estate   | 1.6 D            | 55  | 06/18 - |
| COMBO Box Body / Estate   | 1.6 D            | 73  | 06/18 - |
| COMBO Mk IV (E) MPV (X19) | 1.2              | 81  | 06/18 - |
| COMBO Mk IV (E) MPV (X19) | 1.5              | 75  | 06/18 - |
| COMBO Mk IV (E) MPV (X19) | 1.5              | 96  | 06/18 - |
| GRANDLAND X (A18)         | 1.2 Turbo (75)   | 96  | 06/17 - |
| GRANDLAND X (A18)         | 1.5 Turbo D (75) | 96  | 04/18 - |
| GRANDLAND X (A18)         | 1.6 Turbo D (75) | 88  | 06/17 - |
| GRANDLAND X (A18)         | 2.0 D (75)       | 130 | 10/17 - |

## OE-nummer

### Kompatibla OE-nummer

|         |         |
|---------|---------|
| CITROËN | 424993  |
| CITROËN | 4249K1  |
| OPEL    | 3641958 |
| PEUGEOT | 424993  |
| PEUGEOT | 4249K1  |