



# BRAKE DISC

## 09.C171.10

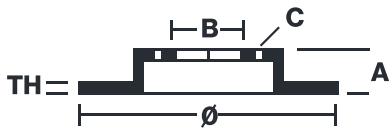
The **09.C171.10** brake disc is synonymous with reliability

The Brembo brake disc is fully interchangeable with an Original Equipment brake disc. The control of the entire production cycle allows Brembo to offer brake discs with outstanding performance levels, reliability, durability and comfort in all conditions of use. All Brembo brake discs are accompanied by the ECE-R90 homologation.

- ✓ OE-equivalent
- ✓ Brembo quality
- ✓ ECE-R90 certificate
- ✓ Safety
- ✓ Fastening screws



### Technical specifications



EAN code  
**8020584214893**

Axle  
**Front**

Diameter  $\varnothing$   
**256 mm**

Thickness (TH)  
**22 mm**

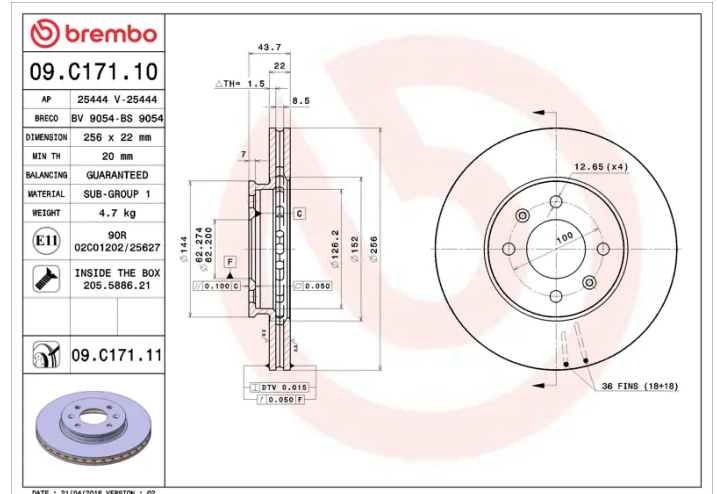
Height (A)  
**44 mm**

Number of holes (C)  
**4**

Brake disc type  
**Ventilated**

Centering (B)  
**62 mm**

Min. thickness  
**20 mm**



COMPATIBLE VEHICLES

## COMPATIBLE OE PART NUMBERS

517120U000	HYUNDAI
517121R000	HYUNDAI
517121W250	HYUNDAI
517120U000	HYUNDAI (BEIJING)
517120U100	HYUNDAI (BEIJING)
517120U000	KIA
517121R000	KIA
517121W250	KIA
5517120U000	KIA
5517121W200	KIA
5517121W250	KIA
517120U000	KIA (DYK)
517120U100	KIA (DYK)