



BRAKE DISC PAINTED

09.N255.21

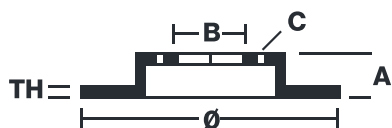
The 09.N255.21 painted brake disc is synonymous with reliability

The Brembo brake disc with special UV paint treatment guarantees superior corrosion resistance for the product, thanks to the protective coating on the outer edges and on the disc hub. The UV paint not only gives the disc a clean, shiny appearance but is also beneficial for the environment as the water-based UV paint treatment does not require the use of chemical solvents and is a low energy consumption process.

- ✓ OE-equivalent
- ✓ Brembo quality
- ✓ ECE-R90 certificate
- ✓ Safety
- ✓ Anti-corrosion



Technical specifications



EAN code
8020584232378

Axle
Front

Diameter Ø
300 mm

Thickness (TH)
28 mm

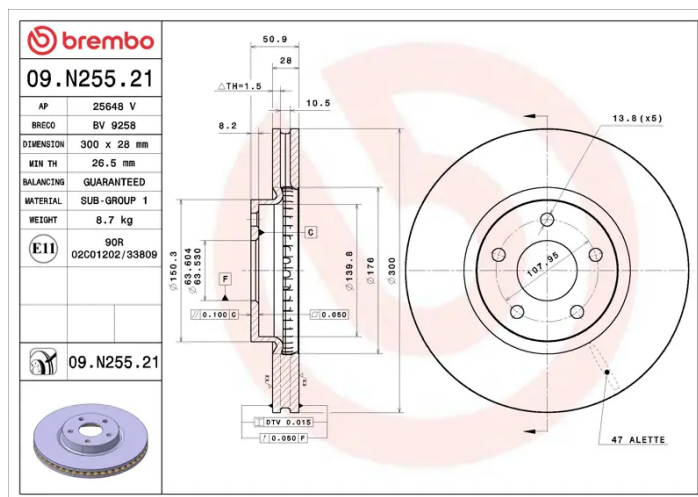
Height (A)
51 mm

Number of holes (C)
5

Brake disc type
Ventilated

Centering (B)
64 mm

Min. thickness
26,5 mm



COMPATIBLE VEHICLES

COMPATIBLE OE PART NUMBERS

2017128 FORD

2037502 FORD

5202199 FORD

5322975 FORD

DG9C1125AC FORD

DG9C1125AD FORD

DG9C1125AE FORD

DG9C1125AF FORD

DG9Z1125GA FORD

KS7Z1125A FORD

5202199 FORD (CHANGAN)

DG9C1125A4B FORD (CHANGAN)

DG9C1125AC FORD (CHANGAN)

DG9C1125AD FORD (CHANGAN)

BRRF117 FORD USA

DG9Z1125A FORD USA
