

Bromstrumma 14.4733.10



Tekniska data för bromstrumman

Axel Bak

Diameter (Ø)
254,00 mm

Max. diameter (Max. diameter)
255,50 mm

Max. diameter
255,50 mm

Bredd
61,00 mm

Centreringsdiameter (B)
96,5 mm

Totalhöjd (C)
71,00 mm

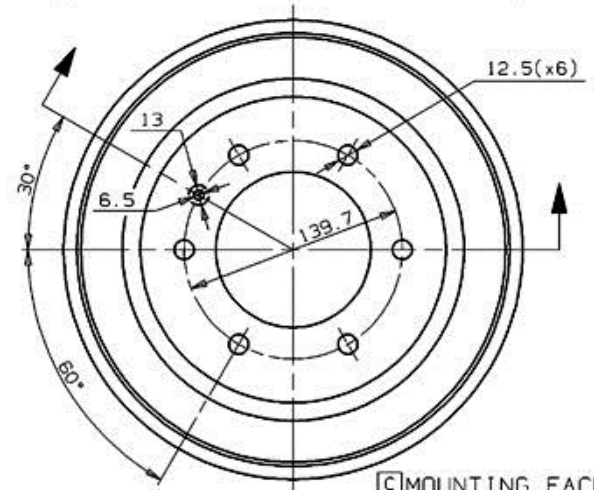
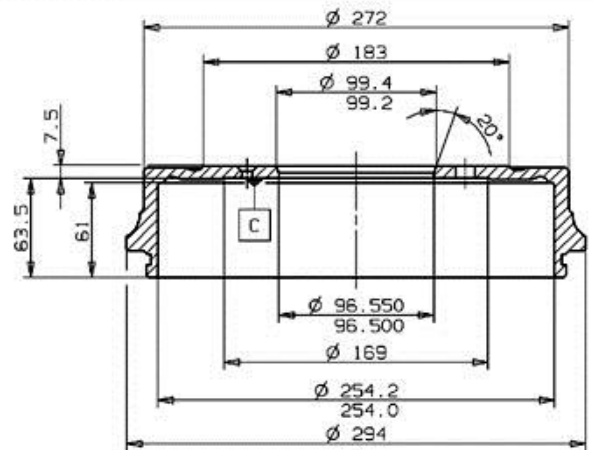
Antal hål (D)
6,00

Lagersats

EAN-kod
8020584473313



ISUZU P.N.: 8-94226-829-1	14.4733.10
CUSTOMER P.N.:	Date 14.05.96



□ MOUNTING FACE
 Max. DIA. 255.5 mm
 Weight 6.6 Kg

Kompatibla fordon

OPEL

Modell	Typ	kW	År
CAMPO (TF0, TF1)	2.2 D	45	09/90 08/92
CAMPO (TF0, TF1)	2.2 D (TFR52)	45	08/87 08/90

CAMPO (TF0, TF1)	2.2 D 4x4	45	09/90 08/92
CAMPO (TF0, TF1)	2.2 D 4x4 (TFS52)	45	08/87 08/90
CAMPO (TF0, TF1)	2.3 (TFR16)	69	08/91 08/94
CAMPO (TF0, TF1)	2.3 (TFR16)	72	08/94 09/96
CAMPO (TF0, TF1)	2.3 4x4 (TFS16)	69	08/91 08/94
CAMPO (TF0, TF1)	2.3 4x4 (TFS16)	72	08/94 09/96
CAMPO (TF0, TF1)	2.5 D (TFR54)	56	08/91 06/94
CAMPO (TF0, TF1)	2.5 D 4x4 (TFS54)	56	08/91 06/94
CAMPO (TF0, TF1)	2.5 DTI	74	07/01 12/01
CAMPO (TF0, TF1)	2.5 TD (TFR54)	56	07/94 06/01
CAMPO (TF0, TF1)	2.5 TD 4x4 (TFS54)	56	07/94 06/01
CAMPO (TF0, TF1)	3.1 TD (TFR69)	80	12/92 06/01
CAMPO (TF0, TF1)	3.1 TD 4x4 (TFS69)	80	12/92 06/01

VAUXHALL

Modell	Typ	kW	År
BRAVA Pickup (TF0, TF1)	2.3 (TFR16)	69	08/91 08/94
BRAVA Pickup (TF0, TF1)	2.3 (TFR16)	72	08/94 09/96
BRAVA Pickup (TF0, TF1)	2.5 D (TFR54)	56	08/91 06/94
BRAVA Pickup (TF0, TF1)	2.5 DTI	74	08/01 12/02
BRAVA Pickup (TF0, TF1)	2.5 TD (TFR54)	56	07/94 12/02

OE-nummer

Kompatibla OE-nummer

BEDFORD	94226829
CHEVROLET	94226829
CHEVROLET	E3FZ1107B
ISUZU	8942268291
ISUZU	94226829
OPEL	568062