



BRAKE PAD PRIME CERAMIC P06101N

The P06101N NAO brake pad is synonymous with reliability

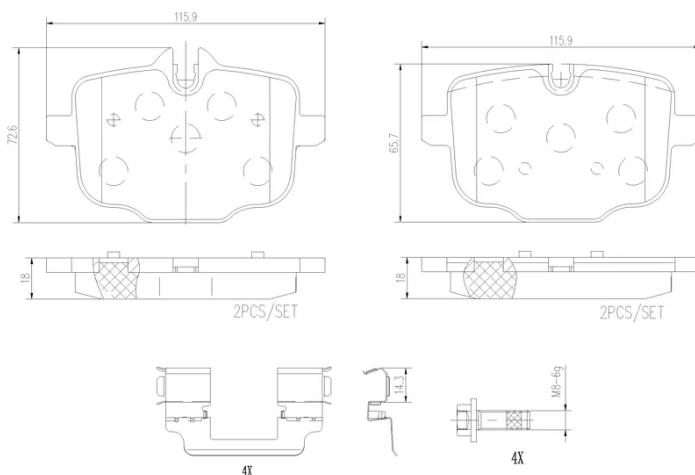
Brembo NAO brake pads stand out for their ultimate braking comfort, reduced friction wear and low dust mission, which makes for cleaner rims and reduced maintenance requirements. The advanced friction material in keeping with the strictest environmental standards is the main distinguishing feature of NAO compounds.

- ✓ OE-equivalent
- ✓ Brembo quality
- ✓ Safety
- ✓ Comfort
- ✓ Durability
- ✓ Dust reduction
- ✓ With accessories



Technical specifications

EAN code 8020584069707	Axle Rear	Thickness 18 mm
Width 116 mm	Height 73 mm	Braking system TRW
Wear indicator Prepared for wear indicator	WVA number 24704,25636	Accessories With accessories With anti-squeal shim With brake caliper bolts



COMPATIBLE VEHICLES

COMPATIBLE OE PART NUMBERS

34216867175 BMW

34216870552 BMW

34216890353 BMW

34216896975 BMW

34216896976 BMW
