



# BRAKE PAD XTRA CERAMIC P09016NX

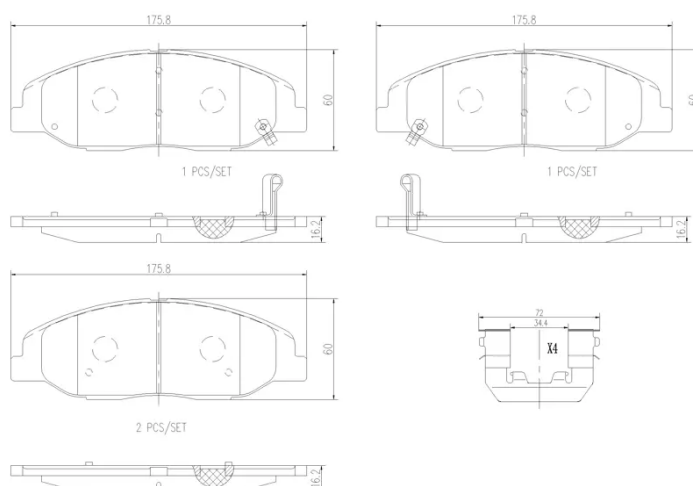
**Xtra Ceramic brake pad P09016NX belongs to Brembo Cool Line**

Brembo Xtra Ceramic brake pads have a specific compound which, beside being copper free, also contains less metal compared to Xtra pads. This feature make Xtra Ceramic more focused on comfort and cleaner rims, thanks to the ceramic friction material, while guaranteeing the top performance proper of the Xtra line. Xtra Ceramic range is fully ECE R90 homologated.

- ✓ OE-equivalent
- ✓ Brembo quality
- ✓ ECE-R90 certificate
- ✓ Safety
- ✓ Performance
- ✓ Dust reduction
- ✓ Comfort

## Technical specifications

EAN code <b>8020584130971</b>	Axle <b>Front</b>	Thickness <b>15 mm</b>
Width <b>176 mm</b>	Height <b>60 mm</b>	Braking system <b>Mando</b>
Wear indicator <b>Acoustic</b>	WVA number <b>24937,24938,24939</b>	Accessories <b>With anti-squeal shim</b>



COMPATIBLE VEHICLES

## COMPATIBLE OE PART NUMBERS

19421287	CADILLAC
22825195	CADILLAC
25814699	CADILLAC
9074788	CADILLAC (SGM)