



# BRAKE PAD PRIME CERAMIC P37009N

The P37009N NAO brake pad is synonymous with reliability

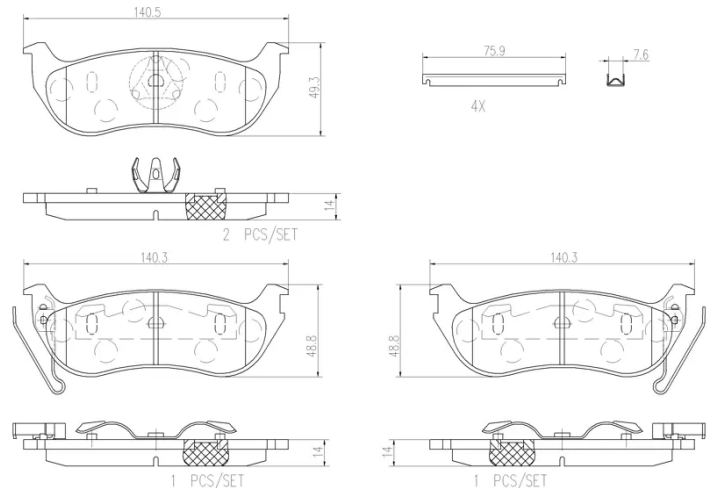
Brembo NAO brake pads stand out for their ultimate braking comfort, reduced friction wear and low dust mission, which makes for cleaner rims and reduced maintenance requirements. The advanced friction material in keeping with the strictest environmental standards is the main distinguishing feature of NAO compounds.

- ✓ OE-equivalent
- ✓ Brembo quality
- ✓ Safety
- ✓ Comfort
- ✓ Durability
- ✓ Dust reduction
- ✓ With accessories



## Technical specifications

EAN code <b>8020584098233</b>	Axle <b>Rear</b>	Thickness <b>14 mm</b>
Width <b>140 mm</b>	Height <b>49 mm</b>	Braking system <b>Kelsey Hayes</b>
Wear indicator <b>Without</b>	WVA number <b>24355,24356,24357</b>	Accessories <b>With accessories</b> <b>With anti-squeal shim</b> <b>With piston clip</b>



**COMPATIBLE VEHICLES**

## COMPATIBLE OE PART NUMBERS

05083882AC CHRYSLER

---

05179242AA CHRYSLER

---

5083882AC CHRYSLER

---

5179242AA CHRYSLER

---

K05083882AC CHRYSLER

---

K05179242AA CHRYSLER

---

05083882AB JEEP

---

05083882AC JEEP

---

05179242AA JEEP

---

2AMV4882AA JEEP

---

5083882AB JEEP

---

5083882AC JEEP

---

5083882AD JEEP

---

5083882AE JEEP

---

5179242AA JEEP

---

5179242AB JEEP

---

5191823AA JEEP

---

K05083882AB JEEP

---

K05083882AC JEEP

---

K05083882AE JEEP

---

K05179242AA JEEP

---

K5083882AB JEEP

---

K5083882AC JEEP

---

K5083882AD JEEP

---

K5083882AE JEEP

---

K5179242AA JEEP

---

K5179242AB JEEP

---

K5191823AA JEEP

---