



# BRAKE PAD PRIME CERAMIC P49005N

The P49005N NAO brake pad is synonymous with reliability

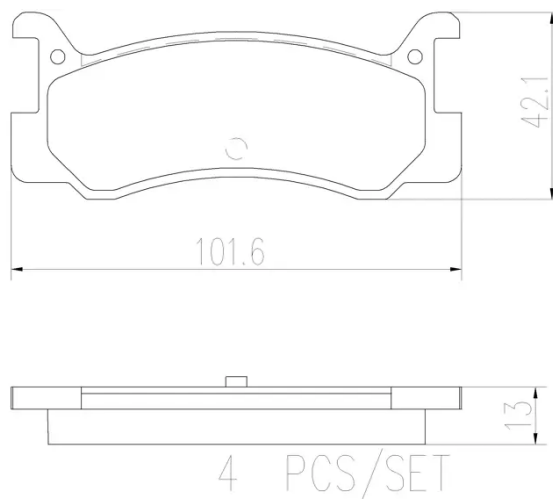
Brembo NAO brake pads stand out for their ultimate braking comfort, reduced friction wear and low dust mission, which makes for cleaner rims and reduced maintenance requirements. The advanced friction material in keeping with the strictest environmental standards is the main distinguishing feature of NAO compounds.

- ✓ OE-equivalent
- ✓ Brembo quality
- ✓ Safety
- ✓ Comfort
- ✓ Durability
- ✓ Dust reduction
- ✓ With accessories



## Technical specifications

EAN code <b>8020584086582</b>	Axle <b>Rear</b>	Thickness <b>13 mm</b>
Width <b>102 mm</b>	Height <b>42 mm</b>	Braking system <b>Akebono</b>
Wear indicator <b>Without</b>	WVA number <b>20008</b>	Accessories <b>With anti-squeal shim</b>



COMPATIBLE VEHICLES

## COMPATIBLE OE PART NUMBERS

0449287201000 DAIHATSU

---

0449287202000 DAIHATSU

---

0449287705 DAIHATSU

---

0449287705000 DAIHATSU

---

0449287706 DAIHATSU

---

0449287706000 DAIHATSU

---

0449287707 DAIHATSU

---

0449287707000 DAIHATSU

---

0449287708000 DAIHATSU

---

B10749280 FORD

---

E7GZ2200B FORD

---

E7GZ2200C FORD

---

1U012648Z MAZDA

---

1U032648Z MAZDA

---

B1072648Z MAZDA

---

B10749480 MAZDA

---

B4Y12648Z MAZDA

---

B6Y32643Z MAZDA

---

B6Y32643ZA MAZDA

---

B6Y32648Z MAZDA

---

BL782643Z MAZDA

---

BL782648Z MAZDA

---

B1072643Z MITSUBISHI

---

B4Y12649Z MITSUBISHI

---

B6Y32648ZA MITSUBISHI

---

BL782649Z MITSUBISHI

---