



BRAKE PAD PRIME CERAMIC P50167N

The P50167N NAO brake pad is synonymous with reliability

Brembo NAO brake pads stand out for their ultimate braking comfort, reduced friction wear and low dust mission, which makes for cleaner rims and reduced maintenance requirements. The advanced friction material in keeping with the strictest environmental standards is the main distinguishing feature of NAO compounds.

- ✓ OE-equivalent
- ✓ Brembo quality
- ✓ Safety
- ✓ Comfort
- ✓ Durability
- ✓ Dust reduction
- ✓ With accessories

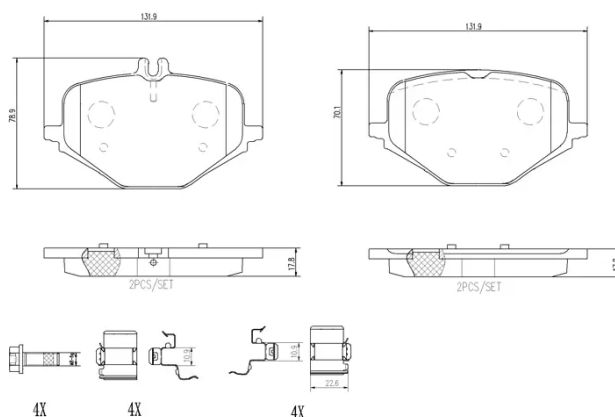
Technical specifications

EAN code 8020584119617 Axle Rear Thickness 18 mm

Width 132 mm Height 70 mm

Wear indicator Prepared for wear indicator WVA number 22717,22718

Accessories
With accessories
With anti-squeal shim
With brake caliper bolts



COMPATIBLE VEHICLES

COMPATIBLE OE PART NUMBERS

0004201506	MERCEDES-BENZ
0004203705	MERCEDES-BENZ
0004205202	MERCEDES-BENZ
A0004201506	MERCEDES-BENZ
A0004203705	MERCEDES-BENZ
A0004205202	MERCEDES-BENZ