



# BRAKE PAD PRIME CERAMIC PA6017N

The PA6017N NAO brake pad is synonymous with reliability

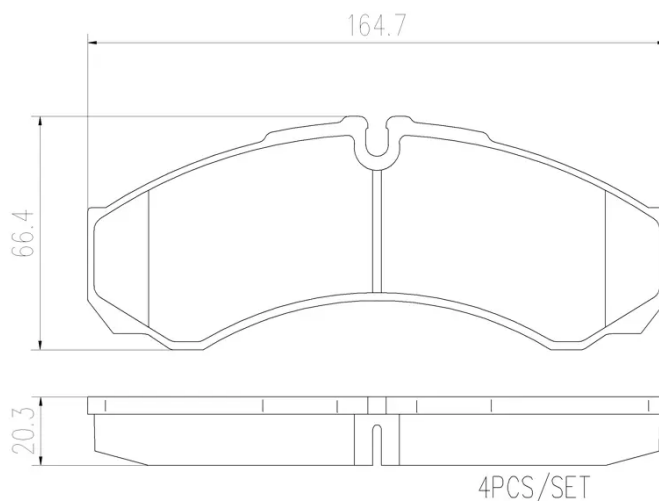
Brembo NAO brake pads stand out for their ultimate braking comfort, reduced friction wear and low dust mission, which makes for cleaner rims and reduced maintenance requirements. The advanced friction material in keeping with the strictest environmental standards is the main distinguishing feature of NAO compounds.

- ✓ OE-equivalent
- ✓ Brembo quality
- ✓ Safety
- ✓ Comfort
- ✓ Durability
- ✓ Dust reduction
- ✓ With accessories



## Technical specifications

EAN code	Axle	Thickness
<b>8020584068229</b>	<b>Front and rear</b>	<b>20 mm</b>
Width	Height	Braking system
<b>165 mm</b>	<b>66 mm</b>	<b>Brembo</b>
Wear indicator	WVA number	Accessories
<b>Prepared for wear indicator</b>	<b>29121</b>	<b>With anti-squeal shim</b>



COMPATIBLE VEHICLES

## COMPATIBLE OE PART NUMBERS

2996535	IRISBUS
0000002995633	IVECO
0000001906401	IVECO
0000002996465	IVECO
1906401	IVECO
2992339	IVECO
2995633	IVECO
2995693	IVECO
2996465	IVECO
2996535	IVECO
42470846	IVECO
42535791	IVECO
42548194	IVECO
500055565	IVECO
503643886	IVECO
504093780	IVECO
504329186	IVECO
425481	PEUGEOT (DF-PSA)