



BRAKE PAD

P 24 035

The P 24 035 brake pad is synonymous with reliability

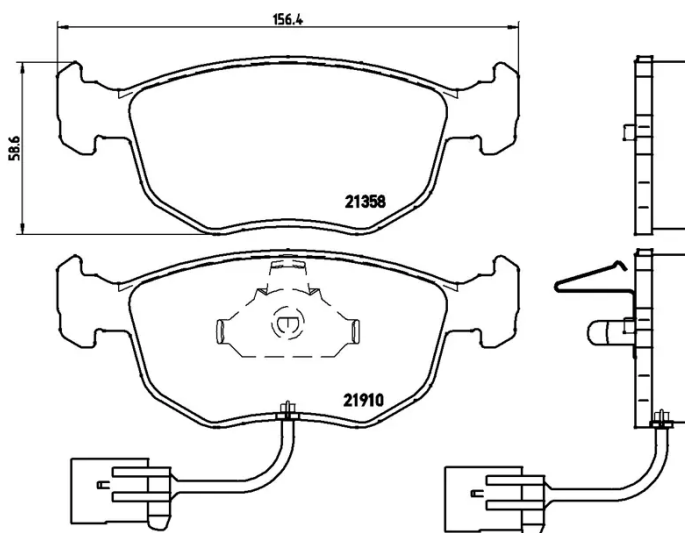
The Brembo brake pad guarantees ultimate safety when braking thanks to the use of more than 100 different compounds, designed according to the type of vehicle and use. Stopping distances reduced to a minimum, maximum driving comfort and silent operation are the most important features of Brembo materials. Brembo brake pads are supplied together with an extensive range of accessories and assembly kits for professional-standard installation.

- ✓ OE-equivalent
- ✓ Brembo quality
- ✓ ECE-R90 certificate
- ✓ Safety
- ✓ Performance
- ✓ Comfort



Technical specifications

EAN code 8020584052075	Axle Front	Thickness 20 mm
Width 156 mm	Height 59 mm	Braking system Teves
Wear indicator Electric	WVA number 21358,21910	Accessories With anti-squeal shim



COMPATIBLE VEHICLES

COMPATIBLE OE PART NUMBERS

1022078 FORD

1097769 FORD

1145456 FORD

6521376 FORD

6827587 FORD

6877835 FORD

6882583 FORD

7261716 FORD

92GB2K021BA FORD

93BB2K021BC FORD

93BB2K021DC FORD

93BB2K021DD FORD

93BX2K021DC FORD

93GB2K021BB FORD

93GB2K021BC FORD

94GB2K021BA FORD

94GB2K021BB FORD
