

Tekniska data för bromsbelägg

Axel
Fram

WVA
21394, 23071

Bredd
155,1 - 156,3 mm

Tjocklek
18,5 mm

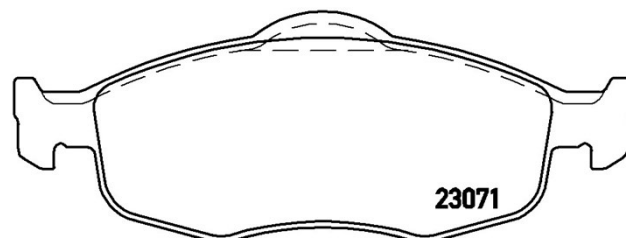
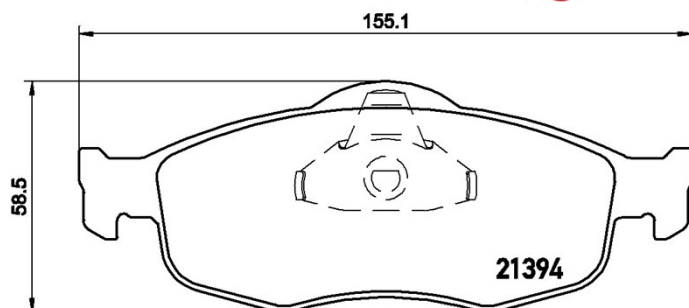
Höjd
58,5 mm

Bromssystem
Teves

Funktioner

Slitageindikator
Utan

EAN-kod
8020584052099



Kompatibla fordon

FORD				
Modell	Typ	kW	År	
COUGAR (EC_)	2.0 16V	96	08/98 12/01	
COUGAR (EC_)	2.5 ST 200	151	01/00 12/01	
COUGAR (EC_)	2.5 V6 24V	125	06/00 12/01	
COUGAR (EC_)	2.5 V6 24V	125	08/98 12/01	
MONDEO I (GBP)	1.6 i 16V	66	02/93 08/96	
MONDEO I (GBP)	1.6 i 16V	65	07/94 08/96	
MONDEO I (GBP)	1.8 i 16V	85	02/93 08/96	
MONDEO I (GBP)	1.8 i 16V	82	07/94 08/96	
MONDEO I (GBP)	1.8 TD	65	06/93 08/96	

MONDEO I (GBP)	1.8 TD	66	10/95 08/96
MONDEO I (GBP)	2.0 i 16V	100	02/93 08/96
MONDEO I (GBP)	2.0 i 16V	97	12/94 08/96
MONDEO I (GBP)	2.0 i 16V 4x4	100	04/93 08/96
MONDEO I Saloon (GBP)	1.6 i 16V	66	02/93 08/96
MONDEO I Saloon (GBP)	1.6 i 16V	65	07/94 08/96
MONDEO I Saloon (GBP)	1.8 i 16V	82	01/94 08/96
MONDEO I Saloon (GBP)	1.8 i 16V	85	02/93 08/96
MONDEO I Saloon (GBP)	1.8 TD	65	06/93 08/96
MONDEO I Saloon (GBP)	1.8 TD	66	10/95 08/96
MONDEO I Saloon (GBP)	2.0 i 16V	100	02/93 08/96
MONDEO I Saloon (GBP)	2.0 i 16V 4x4	100	02/93 08/96
MONDEO I Turnier (BNP)	1.6 i 16V	66	04/93 08/96
MONDEO I Turnier (BNP)	1.6 i 16V	65	07/94 08/96
MONDEO I Turnier (BNP)	1.8 i 16V	85	04/93 08/96
MONDEO I Turnier (BNP)	1.8 i 16V	82	07/94 08/96
MONDEO I Turnier (BNP)	1.8 i 16V 4x4	85	04/93 08/96
MONDEO I Turnier (BNP)	1.8 TD	65	06/93 08/96
MONDEO I Turnier (BNP)	1.8 TD	66	11/95 08/96
MONDEO I Turnier (BNP)	2.0 i 16V	97	01/93 08/96
MONDEO I Turnier (BNP)	2.0 i 16V	100	04/93 08/96
MONDEO I Turnier (BNP)	2.0 i 16V 4x4	100	04/93 08/96
MONDEO II (BAP)	1.6 i	66	08/96 09/00
MONDEO II (BAP)	1.6 i 16V	70	05/98 09/00
MONDEO II (BAP)	1.8 i	85	08/96 09/00
MONDEO II (BAP)	1.8 TD	66	08/96 09/00
MONDEO II (BAP)	2.0 i	96	08/96 09/00
MONDEO II (BAP)	2.5 24V	125	06/00 09/00
MONDEO II (BAP)	2.5 24V	125	08/96 09/00
MONDEO II (BAP)	2.5 ST 200	151	05/99 09/00
MONDEO II Saloon (BFP)	1.6 i	66	08/96 09/00

MONDEO II Saloon (BFP)	1.6 i 16V	70	05/98 09/00
MONDEO II Saloon (BFP)	1.8 i	85	08/96 09/00
MONDEO II Saloon (BFP)	1.8 TD	66	08/96 09/00
MONDEO II Saloon (BFP)	2.0 i	96	08/96 09/00
MONDEO II Saloon (BFP)	2.5 24V	125	06/00 09/00
MONDEO II Saloon (BFP)	2.5 24V	125	08/96 09/00
MONDEO II Saloon (BFP)	2.5 ST 200	151	05/99 09/00
MONDEO II Tumier (BNP)	1.6 i	66	08/96 09/00
MONDEO II Tumier (BNP)	1.6 i 16V	70	05/98 09/00
MONDEO II Tumier (BNP)	1.8 i	85	08/96 09/00
MONDEO II Tumier (BNP)	1.8 TD	66	08/96 09/00
MONDEO II Tumier (BNP)	2.0 i	96	08/96 09/00
MONDEO II Tumier (BNP)	2.5 24V	125	08/96 09/00
MONDEO II Tumier (BNP)	2.5 24V	125	10/99 09/00
MONDEO II Tumier (BNP)	2.5 ST 200	151	05/99 09/00
SCORPIO I (GAE, GGE)	2.0	80	11/88 10/92
SCORPIO I (GAE, GGE)	2.0 i	85	02/92 09/94
SCORPIO I (GAE, GGE)	2.0 i	88	05/89 09/94
SCORPIO I (GAE, GGE)	2.4 i Cat	92	10/88 09/94
SCORPIO I (GAE, GGE)	2.5 TD	68	06/88 07/93
SCORPIO I (GAE, GGE)	2.5 TD	85	08/93 09/94
SCORPIO I (GAE, GGE)	2.9 i	107	09/86 09/94
SCORPIO I (GAE, GGE)	2.9 i	110	09/86 09/94
SCORPIO I (GAE, GGE)	2.9 i 4x4	107	05/88 02/93
SCORPIO I (GAE, GGE)	2.9 i 4x4	110	09/86 09/94
SCORPIO I (GAE, GGE)	2.9 i Cat	107	10/87 09/94
SCORPIO I Saloon (GGE)	1.9	85	11/92 09/93
SCORPIO I Saloon (GGE)	2.0	77	03/90 08/92
SCORPIO I Saloon (GGE)	2.0	80	06/89 03/93
SCORPIO I Saloon (GGE)	2.0 i	85	02/92 09/94
SCORPIO I Saloon (GGE)	2.0 i	88	05/89 09/94

SCORPIO I Saloon (GGE)	2.4 i	92	10/88 10/94
SCORPIO I Saloon (GGE)	2.5 D	51	12/89 12/94
SCORPIO I Saloon (GGE)	2.5 TD	68	06/88 07/93
SCORPIO I Saloon (GGE)	2.5 TD	85	08/93 09/94
SCORPIO I Saloon (GGE)	2.9 i	107	09/86 12/94
SCORPIO I Saloon (GGE)	2.9 i 4x4	107	12/89 10/94
SCORPIO I Tumier (GGE)	2.0 i	85	09/91 09/94
SCORPIO I Tumier (GGE)	2.0 i	88	09/91 09/94
SCORPIO I Tumier (GGE)	2.4 i	92	09/91 09/94
SCORPIO I Tumier (GGE)	2.5 D	51	10/90 08/92
SCORPIO I Tumier (GGE)	2.5 TD	85	08/93 09/94
SCORPIO I Tumier (GGE)	2.5 TD	68	09/91 07/93
SCORPIO I Tumier (GGE)	2.9 i	107	09/91 09/94
SCORPIO I Tumier (GGE)	2.9 i 4x4	107	05/88 02/93
SCORPIO II (GFR, GGR)	2.0 i	85	10/94 08/98
SCORPIO II (GFR, GGR)	2.0 i 16V	100	10/94 08/98
SCORPIO II (GFR, GGR)	2.3 i 16V	108	06/96 08/98
SCORPIO II (GFR, GGR)	2.5 TD	92	09/96 08/98
SCORPIO II (GFR, GGR)	2.5 TD	85	10/94 08/98
SCORPIO II (GFR, GGR)	2.9 i	110	02/95 08/98
SCORPIO II (GFR, GGR)	2.9 i 24V	152	10/94 08/98
SCORPIO II Tumier (GNR, GGR)	2.0 i	85	10/94 08/98
SCORPIO II Tumier (GNR, GGR)	2.0 i 16V	100	10/94 08/98
SCORPIO II Tumier (GNR, GGR)	2.3 i 16V	108	06/96 08/98
SCORPIO II Tumier (GNR, GGR)	2.5 TD	92	09/96 08/98
SCORPIO II Tumier (GNR, GGR)	2.5 TD	85	10/94 08/98
SCORPIO II Tumier (GNR, GGR)	2.9 i	110	02/95 08/98
SCORPIO II Tumier (GNR, GGR)	2.9 i 24V	152	10/94 08/98
FORD AUSTRALIA			
Modell	Typ	kW	År
MONDEO Estate (HB, HC, HA)	2.0 i (HA, HB)	97	07/95 12/98
MONDEO Hatchback (HA, HB, HC)	2.0	96	07/95 02/00

MONDEO Saloon (HA, HB, HC)	2.0 (HA, HB, HC)	97	07/95 02/00
MONDEO Saloon (HE)	2.5 (HE)	125	02/00 04/01

FORD USA

Modell	Typ	kW	År
CONTOUR	2.0 S	93	08/93 12/97
CONTOUR	2.5 SE	127	09/93 08/96
CONTOUR	2.0	96	09/97 08/00
CONTOUR	2.5	127	09/97 08/00
CONTOUR	2.5 SVT	149	09/97 08/00

MERCURY

Modell	Typ	kW	År
MYSTIQUE	2.0	93	02/94 08/01
MYSTIQUE	2.0	96	09/97 08/01
MYSTIQUE	2.5	127	09/94 08/01

OE-nummer

Kompatibla OE-nummer

FORD	1073731
FORD	1079347
FORD	1095201
FORD	1096942
FORD	1130759
FORD	1521326
FORD	1652285
FORD	5029147
FORD	6877836
FORD	6882584
FORD	93BB2K021EB
FORD	93BX2K021AA
FORD	93GB2K021CB
FORD	97BG2K021BA
FORD	97BG2K021BB

FORD	97BX2K021BA
FORD	97BX2K021BB
FORD	97BX2K021BC
FORD	ME97BX2K021BD
FORD	R86GB8005EB