



BRAKE PAD

P 30 006

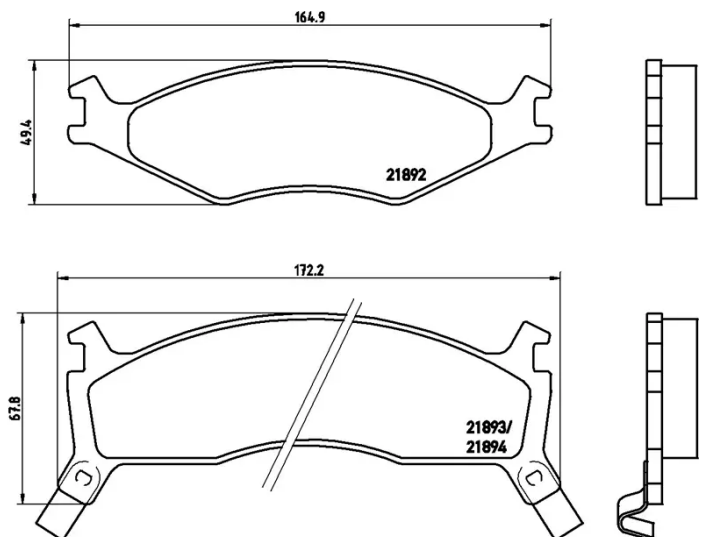
The P 30 006 brake pad is synonymous with reliability

The Brembo brake pad guarantees ultimate safety when braking thanks to the use of more than 100 different compounds, designed according to the type of vehicle and use. Stopping distances reduced to a minimum, maximum driving comfort and silent operation are the most important features of Brembo materials. Brembo brake pads are supplied together with an extensive range of accessories and assembly kits for professional-standard installation.

- ✓ OE-equivalent
- ✓ Brembo quality
- ✓ ECE-R90 certificate
- ✓ Safety
- ✓ Performance
- ✓ Comfort

Technical specifications

EAN code	Axle	Thickness
8020584052761	Front	18 mm
Width	Height	Braking system
165 mm	49 mm	Sangshin
Wear indicator	WVA number	Accessories
Acoustic	21892,21893,21894	With anti-squeal shim



COMPATIBLE VEHICLES

COMPATIBLE OE PART NUMBERS

OK011332372	KIA
-------------	-----

OK0113323Z	KIA
------------	-----

OK011332372	KIA
-------------	-----

OK0113323Z	KIA
------------	-----
