



BRAKE PAD

P 36 018

The P 36 018 brake pad is synonymous with reliability

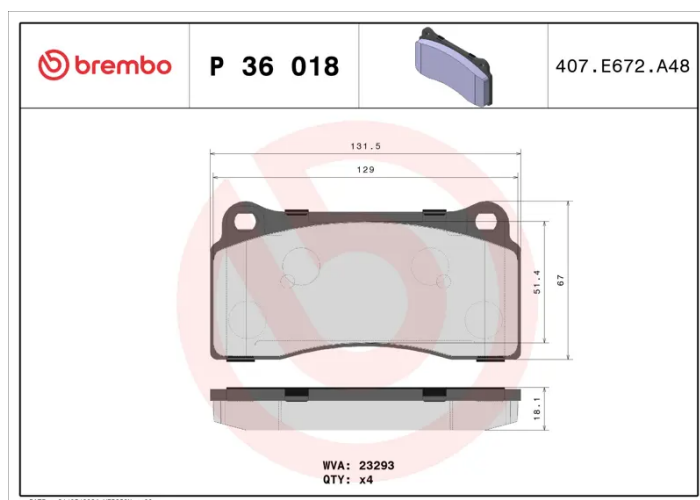
The Brembo brake pad guarantees ultimate safety when braking thanks to the use of more than 100 different compounds, designed according to the type of vehicle and use. Stopping distances reduced to a minimum, maximum driving comfort and silent operation are the most important features of Brembo materials. Brembo brake pads are supplied together with an extensive range of accessories and assembly kits for professional-standard installation.

- ✓ OE-equivalent
- ✓ Brembo quality
- ✓ ECE-R90 certificate
- ✓ Safety
- ✓ Performance
- ✓ Comfort



Technical specifications

EAN code 8020584060841	Axle Front and rear	Thickness 18 mm
Width 132 mm	Height 67 mm	Braking system Brembo
Wear indicator Without	WVA number 23293	Accessories With anti-squeal shim



COMPATIBLE VEHICLES

COMPATIBLE OE PART NUMBERS

2886280PK ASTON MARTIN

JLM21280 DAIMLER

MXD1550AA DAIMLER

02MXD1550AB JAGUAR

JLM21280 JAGUAR

MXD1550AA JAGUAR

MXD1550AB JAGUAR

D4060JF20C NISSAN
