

## Tekniska data för bromsbelägg

**Axel**  
Fram

**WVA**  
24046, 24047, 24048

**Bredd**  
132 mm

**Tjocklek**  
18,2 mm

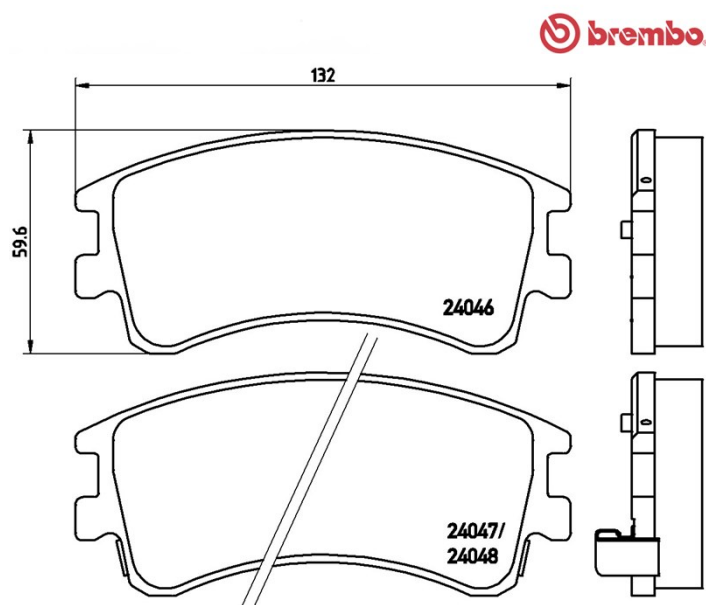
**Höjd**  
59,6 mm

**Bromssystem**  
Akebono

**Funktioner**

**Slitageindikator**  
Akustisk

**EAN-kod**  
8020584053690



## Kompatibla fordon

### MAZDA

Modell	Typ	kW	År
6 Hatchback (GG)	2.0	108	03/05 08/07
6 Hatchback (GG)	2.0	104	08/02 08/07
6 Hatchback (GG)	2.0 DI	105	06/05 08/07
6 Hatchback (GG)	2.0 DI	89	08/02 08/07
6 Hatchback (GG)	2.0 DI	100	08/02 08/07
6 Hatchback (GG)	2.3	122	08/02 08/07
6 Hatchback (GG)	3.0	164	01/05 12/07
6 Saloon (GG)	2.0	108	03/05 08/07
6 Saloon (GG)	2.0	104	06/02 08/07

6 Saloon (GG)	2.0 DI	100	06/02 08/07
6 Saloon (GG)	2.0 DI	105	06/05 08/07
6 Saloon (GG)	2.0 DI	89	08/02 08/07
6 Saloon (GG)	2.3	120	03/05 07/07
6 Saloon (GG)	2.3	122	06/02 08/07
6 Station Wagon (GY)	1.8	88	08/02 08/07
6 Station Wagon (GY)	2.0	108	03/05 08/07
6 Station Wagon (GY)	2.0	104	08/02 08/07
6 Station Wagon (GY)	2.0 DI	105	06/05 08/07
6 Station Wagon (GY)	2.0 DI	100	08/02 02/05
6 Station Wagon (GY)	2.0 DI	89	08/02 08/07
6 Station Wagon (GY)	2.3	122	01/02 02/08
6 Station Wagon (GY)	2.3 AWD	119	11/02 08/07

## OE-nummer

### Kompatibla OE-nummer

MAZDA	G2YS3323Z
MAZDA	G2YS3323ZA
MAZDA	G2YS3323ZB
MAZDA	G2YS3328Z
MAZDA	GJYE3323ZA
MAZDA	GJYE3323ZB
MAZDA	GJYE3323ZC
MAZDA	GJYE3323ZD
MAZDA	GJYE3323ZE
MAZDA	GJYE3323ZF
MAZDA	GJYE3323ZG
MAZDA	GJYE3328ZC
MAZDA	GJYE3328ZD
MAZDA	GJYE3328ZF
MAZDA	GJYE3329ZD
MAZDA	GJYF3323ZA

MAZDA	GJYF3323ZB
MAZDA	GJYF3323ZC
MAZDA	GJYF3323ZD
MAZDA	GJYF3323ZE
MAZDA	GJYF3328ZA
MAZDA	GJYF3328ZB
MAZDA	GJYF3328ZC
MAZDA	GJYF3328ZE
MAZDA	GJYG3323Z
MAZDA	GJYG3323ZA
MAZDA	GJYG3323ZB
MAZDA	GJYG3328Z9C