



# BRAKE PAD

## P 59 092

The P 59 092 brake pad is synonymous with reliability



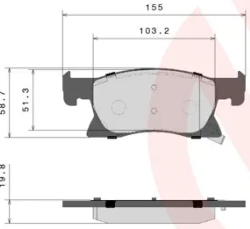
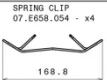
The Brembo brake pad guarantees ultimate safety when braking thanks to the use of more than 100 different compounds, designed according to the type of vehicle and use. Stopping distances reduced to a minimum, maximum driving comfort and silent operation are the most important features of Brembo materials. Brembo brake pads are supplied together with an extensive range of accessories and assembly kits for professional-standard installation.

- ✓ OE-equivalent
- ✓ Brembo quality
- ✓ ECE-R90 certificate
- ✓ Safety
- ✓ Performance
- ✓ Comfort
- ✓ With accessories



### Technical specifications

EAN code <b>8020584084519</b>	Axle <b>Front</b>	Thickness <b>20 mm</b>
Width <b>155 mm</b>	Height <b>59 mm</b>	Braking system <b>Teves</b>
Wear indicator <b>Acoustic</b>	WVA number <b>22342,22343</b>	Accessories <b>With accessories With anti-squeal shim With piston clip</b>

	<b>P 59 092</b>		<b>407.E672.310</b>
			
<small>WVA: 22342 QTY: x2</small>		<small>WVA: 22343 QTY: x2</small>	
<small>DATE : 09/09/2022 VERSION : 00</small>			

COMPATIBLE VEHICLES

## COMPATIBLE OE PART NUMBERS

13478300	OPEL
----------	------

---

39103797	OPEL
----------	------

---

95526566	OPEL
----------	------

---

39103797	VAUXHALL
----------	----------

---