

## Tekniska data för bromsbeläggen

**Axel**  
Fram, Bak

**WVA**  
23656,23658,23657

**Bredd**  
78,3 mm

**Tjocklek**  
14 mm

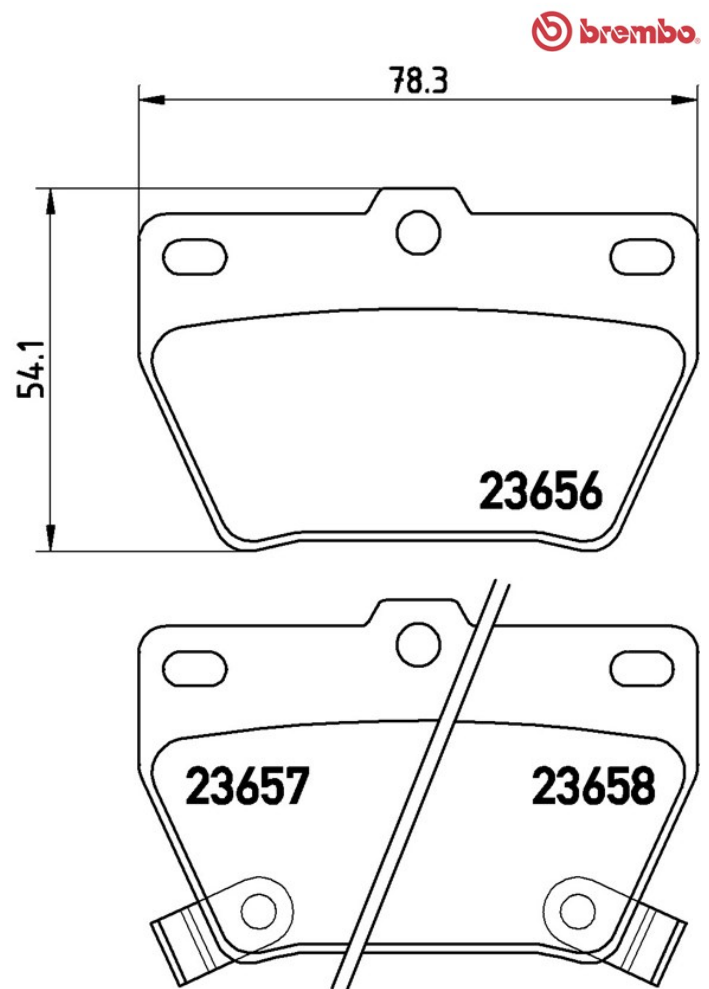
**Höjd**  
54,1 mm

**Bromssystem**  
Akebono

**Funktioner**

**Slitageindikator**  
Akustisk

**EAN-kod**  
8020584057926



## Kompatibla fordon

### CHERY

Modell	Typ	kW	År
TIGGO	1.6	93	06/11 12/14
TIGGO	1.6	88	09/10 12/14
TIGGO	1.8	97	04/10 12/14
TIGGO	1.9 TDI	93	02/10 06/12

TIGGO	2.0	101	04/10 -
TIGGO	2.0 All-wheel Drive	102	09/10 12/14
TIGGO	S 1.6	110	09/10 12/13
TIGGO	1.6	80	07/06 12/10
TIGGO	2.0	92	03/05 12/08
TIGGO	2.0	95	09/06 12/08
TIGGO	2.0	102	09/06 12/09
TIGGO	2.4	95	03/05 12/08
TIGGO	2.4 All-wheel Drive	95	11/05 12/08

## DR

Modell	Typ	kW	År
DR 5	1.6	80	01/07 -
DR 5	1.6	87	01/11 -
DR 5	1.6 CNG	80	01/07 -
DR 5	1.6 LPG	80	01/07 -
DR 5	1.8	97	01/11 -
DR 5	1.9 D	88	01/07 -
DR 5	2.0	94	01/07 -
DR 5	2.0	102	01/11 -
DR 5	2.0 4WD	102	01/11 -
DR 5	2.0 CNG	94	01/07 -
DR 5	2.0 LPG	94	01/07 -

## TOYOTA

Modell	Typ	kW	År
RAV 4 II (_A2_)	1.8 (ZCA25_, ZCA26_)	92	08/00 11/05
RAV 4 II (_A2_)	2.0 4WD (ACA21, ACA20)	110	05/00 11/05
RAV 4 II (_A2_)	2.0 D 4WD (CLA20_, CLA21_)	85	05/01 11/05
RAV 4 II (_A2_)	2.4 4WD (ACA23, ACA22)	112	08/03 11/05
RAV 4 II (_A2_)	2.4 4WD (ACA23, ACA22)	120	08/03 11/05

## OE-nummer

### Kompatibla OE-nummer

CHERY

T113502080

CHERY T113AH3502080

---

CHERY T11BJ3501080

---

DR 720060008

---

TOYOTA 0446642010

---

TOYOTA 0446642020

---

TOYOTA 0446642030

---

TOYOTA 0446642040

---

TOYOTA 0446642050

---

TOYOTA 04466YZZD3

---