



BRAKE PAD

P 83 165

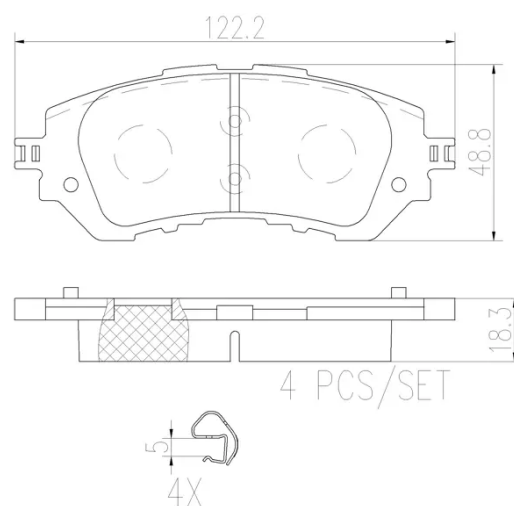
The P 83 165 brake pad is synonymous with reliability

The Brembo brake pad guarantees ultimate safety when braking thanks to the use of more than 100 different compounds, designed according to the type of vehicle and use. Stopping distances reduced to a minimum, maximum driving comfort and silent operation are the most important features of Brembo materials. Brembo brake pads are supplied together with an extensive range of accessories and assembly kits for professional-standard installation.

- ✓ OE-equivalent
- ✓ Brembo quality
- ✓ ECE-R90 certificate
- ✓ Safety
- ✓ Performance
- ✓ Comfort

Technical specifications

EAN code	Axle	Thickness
8020584069899	Front	18 mm
Width	Height	Braking system
122 mm	49 mm	Akebono
Wear indicator	Accessories	
Acoustic	With anti-squeal shim	



COMPATIBLE VEHICLES

COMPATIBLE OE PART NUMBERS

0446509020 TOYOTA

044650D150 TOYOTA

044650D160 TOYOTA

044650D170 TOYOTA

044650D190 TOYOTA
