

Tekniska data för bromsbelägg

Axel
Fram

WVA
21945

Bredd
119,2 mm

Tjocklek
19,6 mm

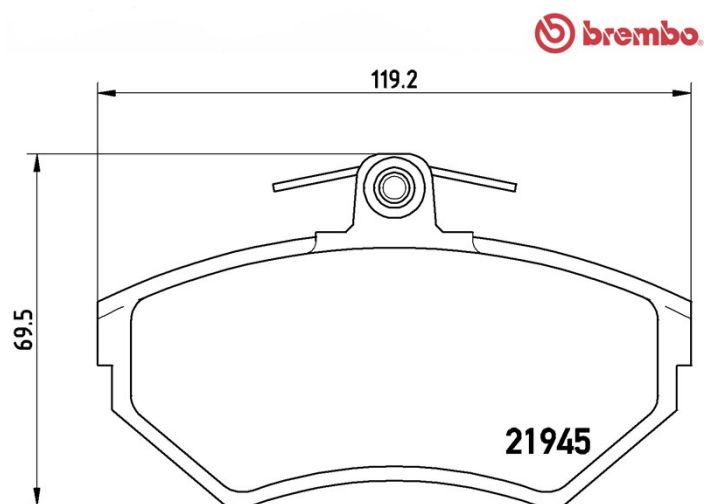
Höjd
69,5 mm

Bromssystem
Lucas

Funktioner
Med bromsok skruvar

Slitageindikator
Utan

EAN-kod
8020584058459



Kompatibla fordon

AUDI

Modell	Typ	kW	År
A4 (8D2, B5)	1.6	75	07/00 11/00
A4 (8D2, B5)	1.6	74	11/94 10/00
A4 (8D2, B5)	1.8	85	04/95 11/00
A4 (8D2, B5)	1.8	92	11/94 11/00
A4 (8D2, B5)	1.8 quattro	92	01/95 11/00
A4 (8D2, B5)	1.8 quattro	85	07/95 11/00
A4 (8D2, B5)	1.9 TDI	66	01/95 11/00
A4 (8D2, B5)	1.9 TDI	55	12/95 11/00
A4 Avant (8D5, B5)	1.6	75	07/00 09/01
A4 Avant (8D5, B5)	1.6	74	11/94 09/01
A4 Avant (8D5, B5)	1.8	92	02/96 09/01

A4 Avant (8D5, B5)	1.8	85	07/95 09/01
A4 Avant (8D5, B5)	1.8 quattro	92	01/96 09/01
A4 Avant (8D5, B5)	1.8 quattro	85	07/95 09/01
A4 Avant (8D5, B5)	1.9 DUO	66	03/98 09/01
A4 Avant (8D5, B5)	1.9 TDI	66	02/96 09/01
A4 Avant (8D5, B5)	1.9 TDI	55	03/96 09/01

VW

Modell	Typ	kW	År
PASSAT (3B2)	1.6	74	10/96 11/00
PASSAT (3B2)	1.8	85	01/97 11/00
PASSAT (3B2)	1.8	92	10/96 11/00
PASSAT (3B2)	1.8 Syncro/4motion	92	10/96 11/00
PASSAT (3B2)	1.8 T Syncro	110	11/96 08/00
PASSAT (3B2)	1.9 TDI	74	02/00 11/00
PASSAT (3B2)	1.9 TDI	66	10/96 11/00
PASSAT Variant (3B5)	1.6	74	06/97 11/00
PASSAT Variant (3B5)	1.8	85	06/97 11/00
PASSAT Variant (3B5)	1.8	92	06/97 11/00
PASSAT Variant (3B5)	1.8 Syncro/4motion	92	06/97 11/00
PASSAT Variant (3B5)	1.9 TDI	74	02/00 11/00
PASSAT Variant (3B5)	1.9 TDI	66	06/97 11/00

OE-nummer

Kompatibla OE-nummer

AUDI	8E0698151
AUDI	8E0698151A
AUDI	8E0698151N
SEAT	8E0698151
SEAT	8E0698151A
SEAT	8E0698151N
SKODA	8E0698151
SKODA	8E0698151A

SKODA

8E0698151N

VW

8E0698151

VW

8E0698151A

VW

8E0698151N
