

Tekniska data för bromsbelägg

Axel

Fram

WVA

23762, 23763

Bredd

155,3 - 156,5 mm

Tjocklek

20,4 mm

Höjd

72,9 mm

Bromssystem

Teves

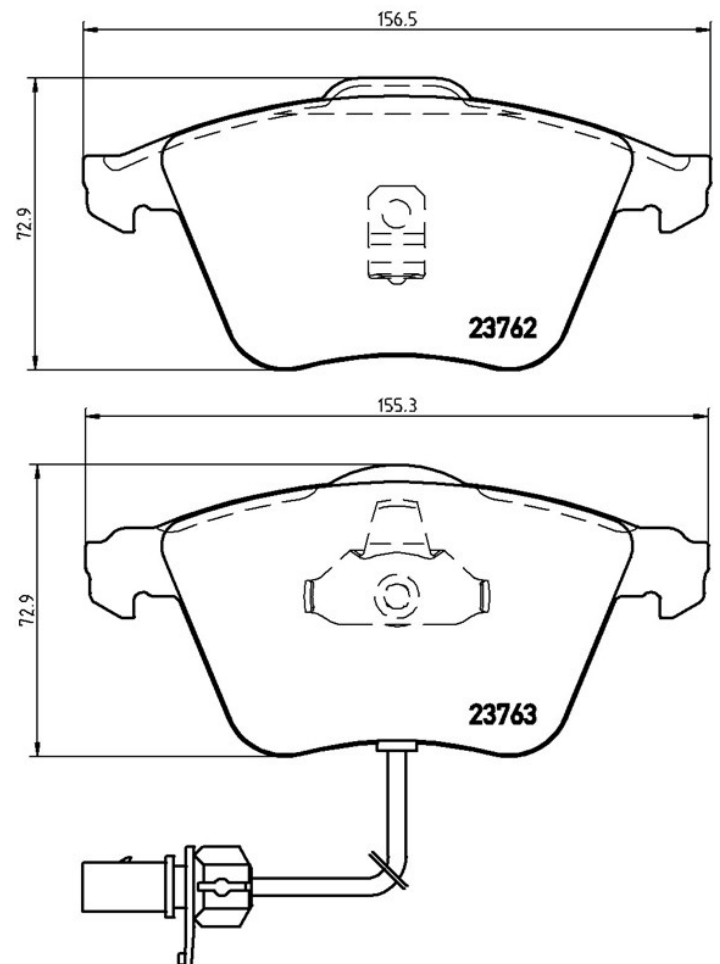
Funktioner

Slitageindikator

Elektrisk

EAN-kod

8020584058596



Kompatibla fordon

AUDI

Modell	Typ	kW	År
A6 (4B2, C5)	2.5 TDI	132	02/00 01/05
A6 (4B2, C5)	2.5 TDI	120	07/02 01/05
A6 (4B2, C5)	2.5 TDI	110	07/97 01/05

A6 (4B2, C5)	2.5 TDI	114	08/01 01/05
A6 (4B2, C5)	2.5 TDI quattro	132	02/00 01/05
A6 (4B2, C5)	2.5 TDI quattro	110	07/97 01/05
A6 (4B2, C5)	2.7	187	05/01 07/04
A6 (4B2, C5)	2.7 quattro	187	05/01 07/04
A6 (4B2, C5)	2.7 quattro	195	11/03 07/04
A6 (4B2, C5)	2.7 T	169	02/99 01/05
A6 (4B2, C5)	2.7 T quattro	184	08/01 01/05
A6 (4B2, C5)	2.7 T quattro	169	12/97 01/05
A6 (4B2, C5)	3.0	160	06/01 01/05
A6 (4B2, C5)	3.0	162	08/01 01/05
A6 (4B2, C5)	3.0 quattro	160	06/01 07/04
A6 (4B2, C5)	3.0 quattro	162	08/01 01/05
A6 (4B2, C5)	3.7	191	03/99 01/05
A6 (4B2, C5)	3.7 quattro	191	03/99 01/05
A6 (4B2, C5)	4.2 quattro	220	11/98 01/05
A6 (4B2, C5)	S6 quattro	250	09/99 01/05
A6 Avant (4B5, C5)	2.5 TDI	132	02/00 01/05
A6 Avant (4B5, C5)	2.5 TDI	120	07/02 01/05
A6 Avant (4B5, C5)	2.5 TDI	114	08/01 01/05
A6 Avant (4B5, C5)	2.5 TDI	110	12/97 01/05
A6 Avant (4B5, C5)	2.5 TDI quattro	132	02/00 01/05
A6 Avant (4B5, C5)	2.5 TDI quattro	110	12/97 01/05
A6 Avant (4B5, C5)	2.7 T	169	02/99 01/05
A6 Avant (4B5, C5)	2.7 T quattro	184	08/01 01/05
A6 Avant (4B5, C5)	2.7 T quattro	169	12/97 01/05
A6 Avant (4B5, C5)	3.0	160	06/01 01/05
A6 Avant (4B5, C5)	3.0	162	08/01 01/05
A6 Avant (4B5, C5)	3.0 quattro	162	08/01 01/05
A6 Avant (4B5, C5)	3.7	191	03/99 01/05
A6 Avant (4B5, C5)	3.7 quattro	191	03/99 01/05

A6 Avant (4B5, C5)	4.2 quattro	220	11/98 01/05
A6 Avant (4B5, C5)	S6 quattro	250	09/99 01/05
ALLROAD (4BH, C5)	2.5 TDI quattro	132	05/00 08/05
ALLROAD (4BH, C5)	2.5 TDI quattro	120	05/03 08/05
ALLROAD (4BH, C5)	2.7 quattro	187	09/00 08/05
ALLROAD (4BH, C5)	2.7 T quattro	184	05/00 08/05
ALLROAD (4BH, C5)	4.2 V8 quattro	220	07/02 08/05

OE-nummer

Kompatibla OE-nummer

AUDI	4B0698151AC
AUDI	4B0698151AD
AUDI	4B0698151Q
AUDI	4B0698151R
SEAT	4B0698151AC
SEAT	4B0698151AD
SEAT	4B0698151Q
SEAT	4B0698151R
SKODA	4B0698151AC
SKODA	4B0698151AD
SKODA	4B0698151Q
SKODA	4B0698151R
VW	4B0698151AC
VW	4B0698151AD
VW	4B0698151Q
VW	4B0698151R