

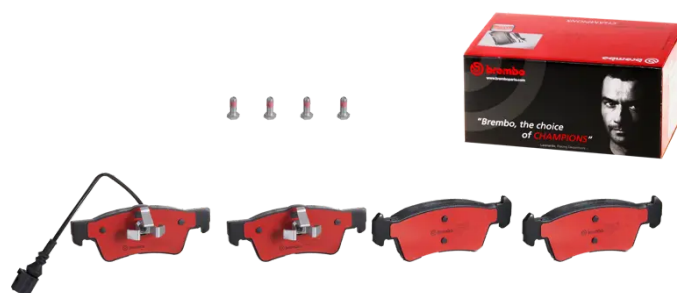


BRAKE PAD PRIME CERAMIC P85091N

The P85091N NAO brake pad is
synonymous with reliability

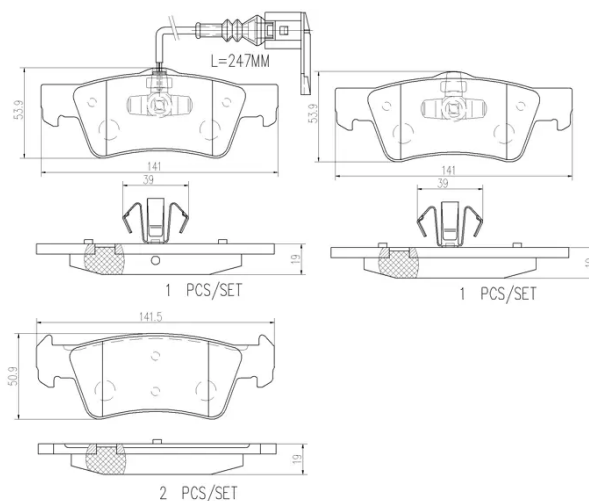
Brembo NAO brake pads stand out for their ultimate braking comfort, reduced friction wear and low dust mission, which makes for cleaner rims and reduced maintenance requirements. The advanced friction material in keeping with the strictest environmental standards is the main distinguishing feature of NAO compounds.

- ✓ OE-equivalent
- ✓ Brembo quality
- ✓ Safety
- ✓ Comfort
- ✓ Durability
- ✓ Dust reduction
- ✓ With accessories



Technical specifications

EAN code 8020584090053	Axle Rear	Thickness 19 mm
Width 141 mm	Height 54 mm	Braking system Teves
Wear indicator Electric	WVA number 24367,24368,24645	Accessories With accessories With anti-squeal shim With piston clip



COMPATIBLE VEHICLES

COMPATIBLE OE PART NUMBERS

7H8698451	AUDI
-----------	------

7H8698451	SEAT
-----------	------

7H8698451	SKODA
-----------	-------

044656028079	TOYOTA
--------------	--------

7H8698451	VW
-----------	----
