



BRAKE DISC PAINTED

08.7015.21

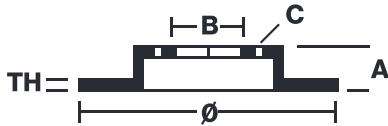
The 08.7015.21 painted brake disc is synonymous with reliability

The Brembo brake disc with special UV paint treatment guarantees superior corrosion resistance for the product, thanks to the protective coating on the outer edges and on the disc hub. The UV paint not only gives the disc a clean, shiny appearance but is also beneficial for the environment as the water-based UV paint treatment does not require the use of chemical solvents and is a low energy consumption process.

- ✓ OE-equivalent
- ✓ Brembo quality
- ✓ ECE-R90 certificate
- ✓ Safety
- ✓ Anti-corrosion
- ✓ Fastening screws



Technical specifications



EAN code
8020584015797

Axle
Rear

Diameter Ø
286 mm

Thickness (TH)
10 mm

Height (A)
69 mm

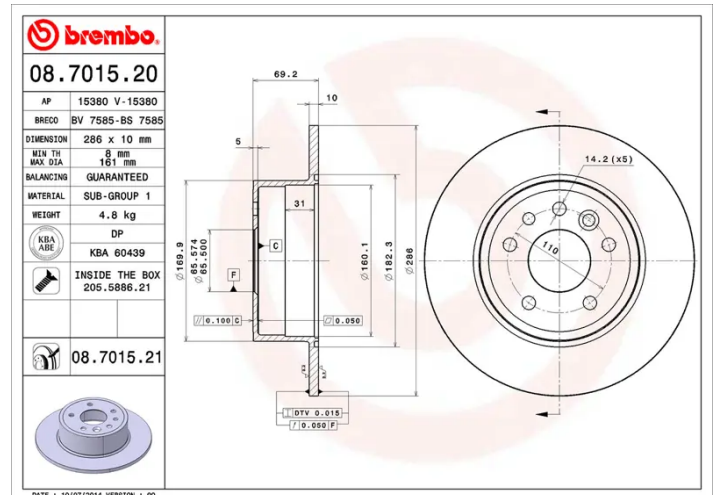
Number of holes (C)
5

Brake disc type
Solid

Centering (B)
65 mm

Min. thickness
8 mm

Tightening torque
120 Nm



COMPATIBLE VEHICLES

COMPATIBLE OE PART NUMBERS

4565693	SAAB
---------	------

4837027	SAAB
---------	------

4839015	SAAB
---------	------

4839338	SAAB
---------	------

5024260	SAAB
---------	------

5084751	SAAB
---------	------

5391578	SAAB
---------	------

21019258	SATURN
----------	--------

90495269	SATURN
----------	--------