



# BRAKE DISC

## 09.C244.10

The **09.C244.10** brake disc is synonymous with reliability

The Brembo brake disc is fully interchangeable with an Original Equipment brake disc. The control of the entire production cycle allows Brembo to offer brake discs with outstanding performance levels, reliability, durability and comfort in all conditions of use. All Brembo brake discs are accompanied by the ECE-R90 homologation.

- ✓ OE-equivalent
- ✓ Brembo quality
- ✓ ECE-R90 certificate
- ✓ Safety



### Technical specifications



EAN code  
**8020584221020**

Axle  
**Front**

Diameter Ø  
**300** mm

Thickness (TH)  
**27** mm

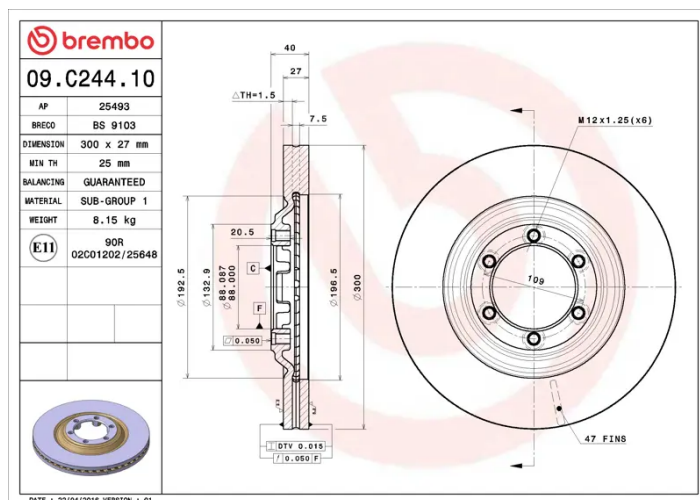
Height (A)  
**40** mm

Number of holes (C)  
**6**

Brake disc type  
**Ventilated**

Centering (B)  
**88** mm

Min. thickness  
**25** mm



COMPATIBLE VEHICLES

## COMPATIBLE OE PART NUMBERS

52088568	CHEVROLET
52091491	CHEVROLET
94712571	CHEVROLET
J52091491	CHEVROLET
52088568	ISUZU
52091491	ISUZU
8981246632	ISUZU
8981246633	ISUZU
8981246634	ISUZU
8981246643	ISUZU
98124663	ISUZU
98124664	ISUZU
C8981246633	ISUZU (JIANGXI)