



BRAKE DISC PAINTED

09.C929.11

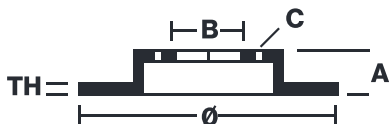
The 09.C929.11 painted brake disc is synonymous with reliability

The Brembo brake disc with special UV paint treatment guarantees superior corrosion resistance for the product, thanks to the protective coating on the outer edges and on the disc hub. The UV paint not only gives the disc a clean, shiny appearance but is also beneficial for the environment as the water-based UV paint treatment does not require the use of chemical solvents and is a low energy consumption process.

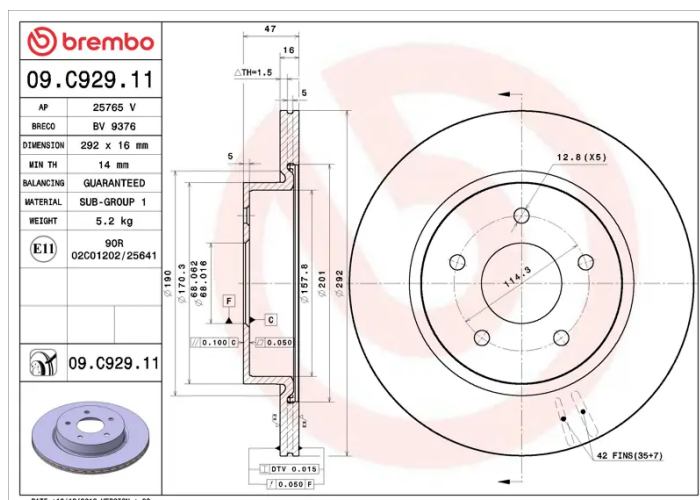
- ✓ OE-equivalent
- ✓ Brembo quality
- ✓ ECE-R90 certificate
- ✓ Safety
- ✓ Anti-corrosion



Technical specifications



EAN code 8020584236253	Axle Rear	Diameter Ø 292 mm
Thickness (TH) 16 mm	Height (A) 47 mm	Number of holes (C) 5
Brake disc type Ventilated	Centering (B) 68 mm	Min. thickness 14 mm



COMPATIBLE VEHICLES

COMPATIBLE OE PART NUMBERS

432064CE0A	NISSAN
------------	--------

432066RA0A	NISSAN
------------	--------

432066RN0A	NISSAN
------------	--------

432066RR0A	NISSAN
------------	--------

D32064CE0A	NISSAN
------------	--------

432064CE0A	NISSAN (DFAC)
------------	---------------

432064CE0C	NISSAN (DFAC)
------------	---------------

432066RS1A	NISSAN (DFAC)
------------	---------------

D32064CE0A	NISSAN (DFAC)
------------	---------------

432064423R	RENAULT
------------	---------

432064CE0A	RENAULT
------------	---------

432066RN0A	RENAULT
------------	---------

432064CE0A	RENAULT (DFAC)
------------	----------------

432064CE0C	RENAULT (DFAC)
------------	----------------