



# BRAKE PAD XTRA CERAMIC P28091NX

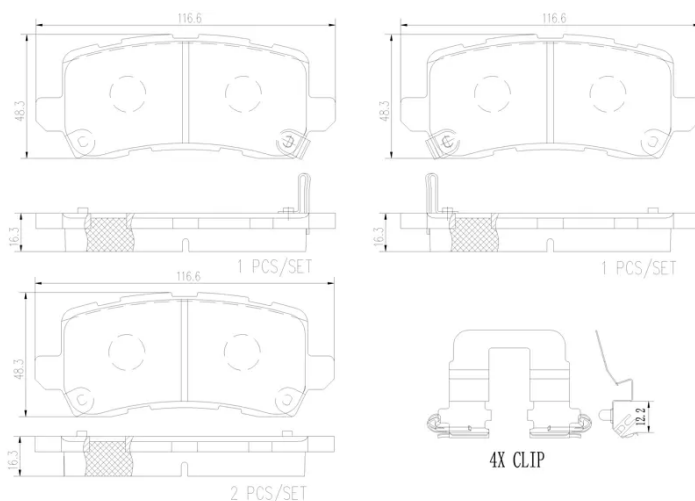
**Xtra Ceramic brake pad P28091NX belongs to Brembo Cool Line**

Brembo Xtra Ceramic brake pads have a specific compound which, beside being copper free, also contains less metal compared to Xtra pads. This feature make Xtra Ceramic more focused on comfort and cleaner rims, thanks to the ceramic friction material, while guaranteeing the top performance proper of the Xtra line. Xtra Ceramic range is fully ECE R90 homologated.

- ✓ Brembo quality
- ✓ ECE-R90 certificate
- ✓ Safety
- ✓ Performance
- ✓ Dust reduction
- ✓ Comfort

## Technical specifications

EAN code <b>8020584130476</b>	Axle <b>Rear</b>	Thickness <b>16 mm</b>
Width <b>117 mm</b>	Height <b>48 mm</b>	Braking system <b>TRW</b>
Wear indicator <b>Acoustic</b>	WVA number <b>22389,22390,22391</b>	Accessories <b>With anti-squeal shim</b>



**COMPATIBLE VEHICLES**

## COMPATIBLE OE PART NUMBERS

43022TY2A00	ACURA
-------------	-------

43022TY2A01	ACURA
-------------	-------

43022TZ5H00	ACURA
-------------	-------

43022TZ5H01	ACURA
-------------	-------

43022THRA51	HONDA
-------------	-------

43022TY2A01	HONDA
-------------	-------

43022TY2A02	HONDA
-------------	-------

43022TZ3A51	HONDA
-------------	-------

43022TZ5A10	HONDA
-------------	-------

43022TZ5H00	HONDA
-------------	-------