



BRAKE PAD

P 23 143

The P 23 143 brake pad is synonymous with reliability

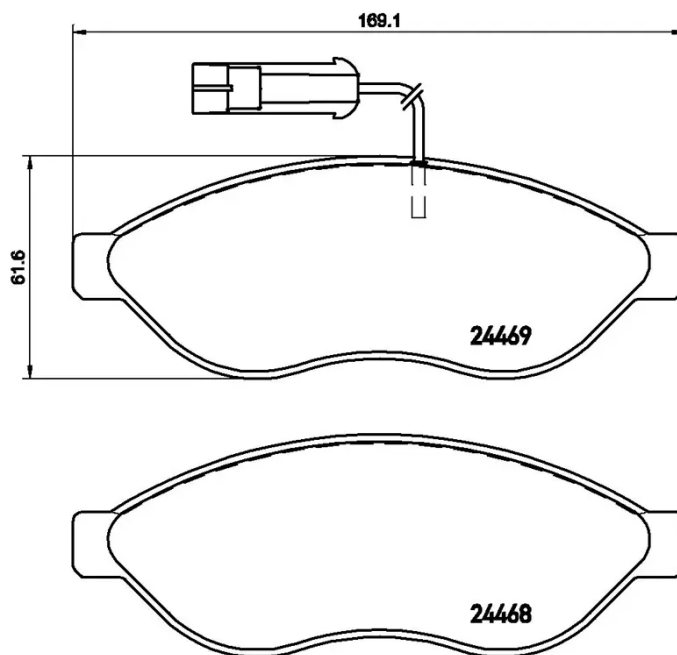
The Brembo brake pad guarantees ultimate safety when braking thanks to the use of more than 100 different compounds, designed according to the type of vehicle and use. Stopping distances reduced to a minimum, maximum driving comfort and silent operation are the most important features of Brembo materials. Brembo brake pads are supplied together with an extensive range of accessories and assembly kits for professional-standard installation.

- ✓ OE-equivalent
- ✓ Brembo quality
- ✓ ECE-R90 certificate
- ✓ Safety
- ✓ Performance
- ✓ Comfort
- ✓ With accessories



Technical specifications

EAN code 8020584108826	Axle Front	Thickness 19 mm
Width 169 mm	Height 62 mm	Braking system Brembo
Wear indicator Electric	WVA number 24468,24469	Accessories With accessories With anti-squeal shim With brake caliper bolts



COMPATIBLE OE PART NUMBERS

1611457380 CITROËN

1612433880 CITROËN

1617273980 CITROËN

1623842380 CITROËN

1647863880 CITROËN

425355 CITROËN

425356 CITROËN

425461 CITROËN

E172301 CITROËN

71770026 FIAT

77361194 FIAT

77364014 FIAT

77366017 FIAT

77367092 FIAT

77368452 FIAT

1647863980 OPEL

1607878380 PEUGEOT

1611457380 PEUGEOT

1611839180 PEUGEOT

1612433880 PEUGEOT

1617273980 PEUGEOT

1623842380 PEUGEOT

1647863880 PEUGEOT

1647864080 PEUGEOT

425355 PEUGEOT

425356 PEUGEOT

425461 PEUGEOT

E172301 PEUGEOT
