



BRAKE PAD

P 50 093

The P 50 093 brake pad is synonymous with reliability

The Brembo brake pad guarantees ultimate safety when braking thanks to the use of more than 100 different compounds, designed according to the type of vehicle and use. Stopping distances reduced to a minimum, maximum driving comfort and silent operation are the most important features of Brembo materials. Brembo brake pads are supplied together with an extensive range of accessories and assembly kits for professional-standard installation.

- ✓ OE-equivalent
- ✓ Brembo quality
- ✓ ECE-R90 certificate
- ✓ Safety
- ✓ Performance
- ✓ Comfort
- ✓ With accessories



Technical specifications

EAN code
8020584103258

Axle
Front and rear

Thickness
19 mm

Width
144 mm



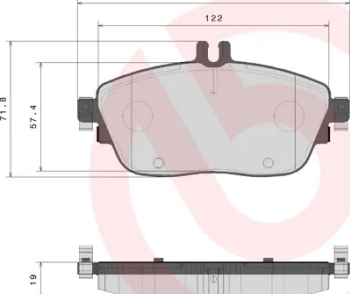

Height
72 mm

Braking system
TRW

Wear indicator
Prepared for wear indicator

WVA number
24869

Accessories
**With accessories
With anti-squeal shim
With brake caliper bolts**

| | | | |
|--|-----------------|---|--|
|  | P 50 093 |  | 407.E672.P66 |
|  | | | <p>SCREW M8x1,25x22 05.E659.035 - x4</p>  |
| <p>WVA: 24869 QTY: x4</p> | | | |
| <p><small>DATE : 08/05/2025 VERSION : 00</small></p> | | | |

COMPATIBLE VEHICLES

COMPATIBLE OE PART NUMBERS

| | |
|-------------|---------------|
| 410605DA0A | INFINITI |
| 410605DA0B | INFINITI |
| 41060HG00C | INFINITI |
| 41060HG00D | INFINITI |
| 0004203002 | MERCEDES-BENZ |
| 0004209104 | MERCEDES-BENZ |
| 0064200620 | MERCEDES-BENZ |
| 0064204620 | MERCEDES-BENZ |
| 0064204720 | MERCEDES-BENZ |
| 0064208520 | MERCEDES-BENZ |
| 0074207020 | MERCEDES-BENZ |
| 0084200320 | MERCEDES-BENZ |
| 0084200620 | MERCEDES-BENZ |
| A0004203002 | MERCEDES-BENZ |
| A0004209104 | MERCEDES-BENZ |
| A0064200620 | MERCEDES-BENZ |
| A0064204620 | MERCEDES-BENZ |
| A0064204720 | MERCEDES-BENZ |
| A0064208520 | MERCEDES-BENZ |
| A0074207020 | MERCEDES-BENZ |
| A0084200320 | MERCEDES-BENZ |
| A0084200620 | MERCEDES-BENZ |