



# BRAKE PAD

## P 61 107

The P 61 107 brake pad is synonymous with reliability

The Brembo brake pad guarantees ultimate safety when braking thanks to the use of more than 100 different compounds, designed according to the type of vehicle and use. Stopping distances reduced to a minimum, maximum driving comfort and silent operation are the most important features of Brembo materials. Brembo brake pads are supplied together with an extensive range of accessories and assembly kits for professional-standard installation.

- ✓ OE-equivalent
- ✓ Brembo quality
- ✓ ECE-R90 certificate
- ✓ Safety
- ✓ Performance
- ✓ Comfort
- ✓ With accessories

### Technical specifications

EAN code  
**8020584103555**

Axle  
**Front**

Thickness  
**17 mm**

Width  
**180 mm**

Height  
**75 mm**



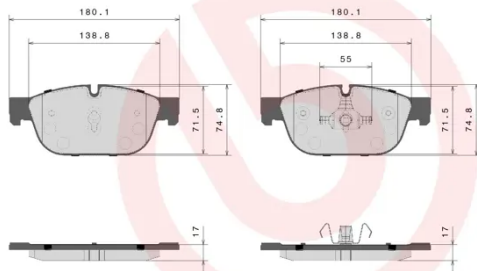
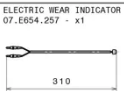
Braking system  
**Teves**

Wear indicator  
**Electric**

WVA number  
**25069,25070**

Accessories  
**With accessories**  
**With anti-squeal shim**  
**With piston clip**



	<b>P 61 107</b>		407.E672.201
			<p>ELECTRIC WEAR INDICATOR 07.E654.257 - x1</p> 
WVA: 25069 QTY: x2		WVA: 25070 QTY: x2	
DATE : 05/05/2023 VERSION : 00			

COMPATIBLE VEHICLES

## COMPATIBLE OE PART NUMBERS

1611839380	CITROËN
425473	CITROËN
1612739280	CITROËN (DF-PSA)
1612739280	DS (CAPSA)
1611839380	PEUGEOT
425473	PEUGEOT
1612739280	PEUGEOT (DF-PSA)