



BRAKE PAD

P 68 059

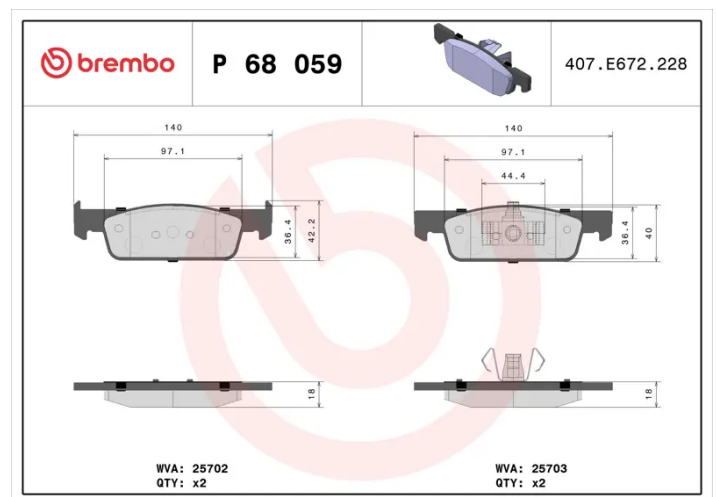
The P 68 059 brake pad is synonymous with reliability

The Brembo brake pad guarantees ultimate safety when braking thanks to the use of more than 100 different compounds, designed according to the type of vehicle and use. Stopping distances reduced to a minimum, maximum driving comfort and silent operation are the most important features of Brembo materials. Brembo brake pads are supplied together with an extensive range of accessories and assembly kits for professional-standard installation.

- ✓ OE-equivalent
- ✓ Brembo quality
- ✓ ECE-R90 certificate
- ✓ Safety
- ✓ Performance
- ✓ Comfort
- ✓ With accessories

Technical specifications

EAN code 8020584109656	Axle Front	Thickness 18 mm
Width 140 mm	Height 40 mm	Braking system Teves
Wear indicator Without	WVA number 25702,25703	Accessories With accessories With anti-squeal shim With piston clip



COMPATIBLE VEHICLES

COMPATIBLE OE PART NUMBERS

410605612R DACIA

410605951R DACIA

410602581R RENAULT

410605612R RENAULT

410605951R RENAULT

410606032R RENAULT

410608708R RENAULT

8660005283 RENAULT

4534200700 SMART

4534210000 SMART

4534210010 SMART

4534210100 SMART

4534211400 SMART

4534211900 SMART

4534212000 SMART

A4534200700 SMART

A4534210000 SMART

A4534210010 SMART

A4534210100 SMART

A4534211400 SMART

A4534211900 SMART

A4534212000 SMART
